

AMEREX CORPORATION
7595 Gadsden Hwy. East
P.O. Box 81
Trussville, AL 35173-0081
Ph (205) 655-3271
sales@amerex-fire.com

SALES/WAREHOUSES:
930 Nicholas Blvd.
Elk Grove, IL 60007-2306
(847) 981-8550
amerexchicago@amerex-fire.com

128 Bauer Drive
Oakland, NJ 07436
(201) 337-1616
amerexnj@amerex-fire.com

12448 Bell Ranch Drive
Santa Fe Springs, CA 90670-1505
(562) 944-0191
amerexla@amerex-fire.com

Quality is Behind the Diamond®

HAND PORTABLE & WHEELED PARTS BOOK

PART NO. 27277 REV B

www.amerex-fire.com
www.webstore.amerex-fire.com
© Copyright Amerex Corporation 2022



NOTICE:

Amerex fire extinguishers are manufactured under a quality system consisting of ISO 9001 and to UL Standards. To protect the UL listing and to keep the warranty in effect Amerex replacement parts must be used.

Genuine factory parts are available to insure proper maintenance - use of other manufacturer's parts releases Amerex of its warranty obligations. Amerex parts have machined surfaces and threads which are manufactured to exacting tolerances. O-rings, hoses, nozzles, horns and all metal parts meet precise specifications and are subjected to multiple in-house inspections and tests for acceptability. The Amerex warranty is voided by the use of generic, off-the-shelf or substitute parts. **DO NOT SUBSTITUTE.**

Amerex Corporation does not service, maintain or recharge fire extinguishers. This Parts Book and the various Amerex extinguisher service manuals are published as a guide to assist qualified personnel in the proper selection of parts and the "Inspection, Maintenance and Recharge" of Amerex extinguishers only. Personnel should receive proper instruction by a qualified agency in the servicing of fire extinguishers prior to servicing extinguishers.

FAILURE TO USE AMEREX REPLACEMENT PARTS OR HEED THE SERVICE MANUAL INSTRUCTIONS COULD CAUSE MALFUNCTION OF THE EXTINGUISHER RESULTING IN SERIOUS INJURY.

Amerex Corporation makes every attempt possible to provide the most current and updated information. Information contained with this brochure is deemed to be as accurate as possible as of the printing date. Routine changes to products, codes and standards, and warranties subsequent to this printing will supersede printed information. Please contact Amerex Corporation for any revisions, updates, or product change.

Visit <https://webstore.amerex-fire.com/> for all of your Amerex parts and extinguisher needs.



Quality is Behind the Diamond

TABLE OF CONTENTS

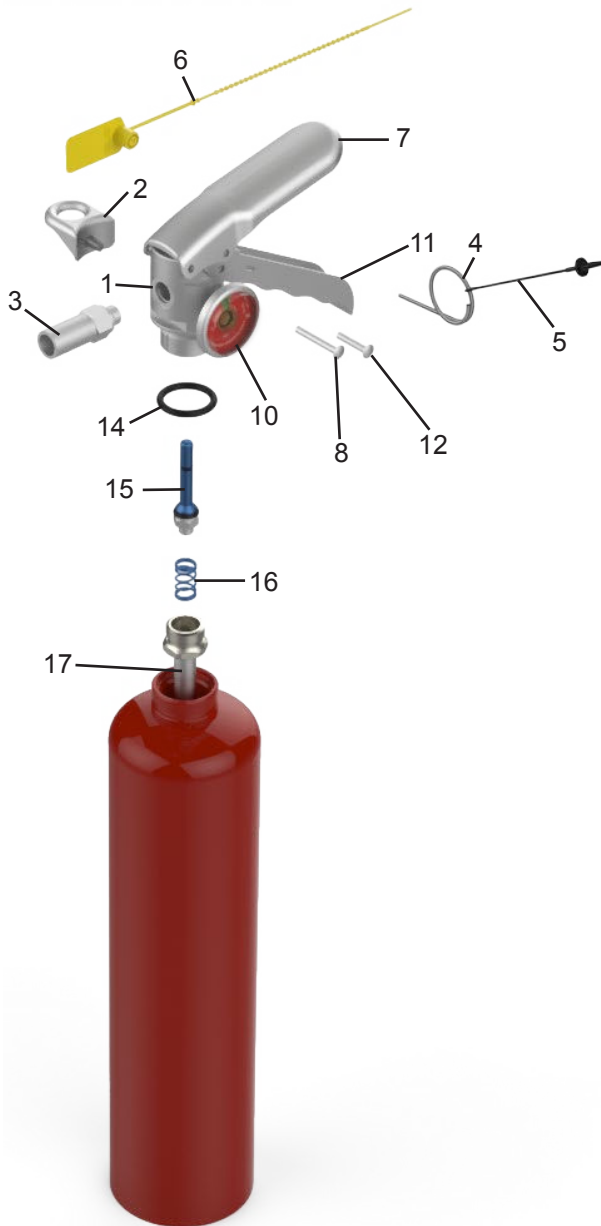
TYPE EXTINGUISHER	PAGE NUMBER
DRY CHEMICAL - 1, 2½, 5 LB. (Fixed Nozzle - Aluminum Valve)	2
DRY CHEMICAL - 5, 5½, 6, 10, 20 LB. (Hose & Horn - Aluminum Valve)	3
DRY CHEMICAL - 5, 6, 10, 20, 30 LB. (Hose & Horn - Brass Valve)	4
DRY CHEMICAL HIGH FLOW - 10 - 20 LB. (Hose & Horn - Brass Valve)	5
WATER MIST - 1¾ GAL. AND 2½ GAL. (Hose & Wand - Brass Valve)	6
WET CHEMICAL (Class K) 6 LITER AND 2½ GAL. (Hose & Nozzle - Stainless Steel Shell and Valve)	7
WATER - 2½ GAL. FOAM - 6 LITER, 2½ GAL. AR-AFFF, (Hose & Nozzle - Brass Valve)	8
HIGH PERFORMANCE DRY CHEMICAL- 6 KG., 20, 30 LB. (Hose & Horn- Brass Valve)	9
HALON 1211 - 1¼, 2½, 5 LB. (Fixed Nozzle), 3 LB. (Hose & Horn) - (Aluminum Valve)	10
HALON 1211 - 9, 13, 17, 20 LB. (Hose & Horn - Brass Valve)	10
HALOTRON I - 1.4, 2½, 5, 5½ LB. (Fixed Nozzle - Aluminum Valve)	11
HALOTRON I - 11, 15½ LB. (Hose & Horn - Brass Valve)	11
CARBON DIOXIDE - 2½, 5 LB.	12
CARBON DIOXIDE - 10, 15, 20 LB.	13
CLASS D - 30 LB. SUPER D (Sodium Chloride), 30 LB. COPPER	14
DRY CHEMICAL - Wheeled - Stored Pressure - 50 LB. ABC & PURPLE K	15
DRY CHEMICAL - Wheeled - Stored Pressure - 125 LB. ABC & PURPLE K	16
DRY CHEMICAL - Wheeled - N₂ Cylinder Operated - 110 FT³ - 125 LB. ABC & PURPLE K	17
DRY CHEMICAL - Wheeled - N₂ Cylinder Operated - 23 FT³ - 125 LB. ABC & PURPLE K	18
DRY CHEMICAL - Wheeled - N₂ Cylinder Operated - 55 FT³ - 300 LB. ABC & PURPLE K	19
HIGH PERFORMANCE DRY CHEMICAL - Wheeled - 125/250 LB. ABC & PURPLE K	20
CARBON DIOXIDE - Wheeled - 50 & 100 LB.	21
HALON 1211 - Wheeled - 150 LB.	22
CLASS D - Wheeled - 150 LB. SUPER D (Sodium Chloride), 250 LB. COPPER	23
HALOTRON I - Wheeled - 65 lb.	24
HALOTRON I - Wheeled - 150 lb.	25
NOVEC 1230 - Wheeled - 150lb.	26
WALL BRACKETS and MISCELLANEOUS ITEMS	27
VEHICLE and VEHICLE / MARINE BRACKET and COMPONENTS	28
ADAPTERS - FILL (Recharge) and HYDRO-TEST	29
RECHARGE AGENTS	30
AMEREX SERVICE / MAINTENANCE MANUALS and SDS Availability	31
NOTES	32-33



PARTS LIST for 1 - 5 lb. Dry Chemical (Fixed Nozzle) Aluminum Valve Models

376 - 1 lb. PK
B417 - 2½ lb. ABC
B410 - 2½ lb. PK

377 - 2½ lb. PK
B416 5 lb. PK



ITEM NO.	PART NO.	DESCRIPTION
1	12699	Modified Valve Assembly without Loop
	27334	Standard Valve Assembly without Loop
2	14220	Hanger Loop with Screw
3	12494	Nozzle - 376 (.076 SHORT)
	01926-P	Nozzle - B417 (.129)
	03741	Nozzle - B416 (.173P)
	01276-P	Nozzle - B410 (.120)
	27604	Nozzle - 377 (.120 5.5°)
4	00160-P	Ring Pin
	16268	Ring Pin 1 lb. & 2 1/2 lb.
5	00532-P	Chain (Nylon) for Ring Pin
6	01387-P	Lock Wire Seal (Yellow)
7	11825	Lever & Rivet
8	01060-P	Rivet Only for Lever All Valves
9	02625	Lever & Rivet - MODIFIED VALVE
10	03103-P	Gauge - 195 PSI
	27611-P	Gauge - 125 PSI for 376
11	11826	Handle & Rivet
12	01064-P	Rivet Only for Handle - ALL VALVES
13	09001	Handle & Rivet - MODIFIED VALVE
14	05241-P	Collar O-Ring
15	06092-P	Valve Stem Assembly
16	01074-P	Spring
17	06069	Downtube/Retainer Assembly - 376
	01075	377
	06212	425, B416, B410, B417
		ALL BRACKETS - SEE BRACKET PAGE
		ALL FILL & HYDRO-TEST ADAPTERS - SEE ADAPTERS PAGE
		All Valve Assemblies include Valve Body, Gauge, Lever and Handle.



PARTS LIST for 5 - 20 lb. Dry Chemical (Hose & Horn) Aluminum Valve Models

B402 - 5 lb. ABC B456 - 10 lb. ABC
 B500 - 5 lb. ABC A411 - 20 lb. ABC
 B479 - 5 lb. PK A413 - 20 lb. PK
 B443 - 6 lb. ABC

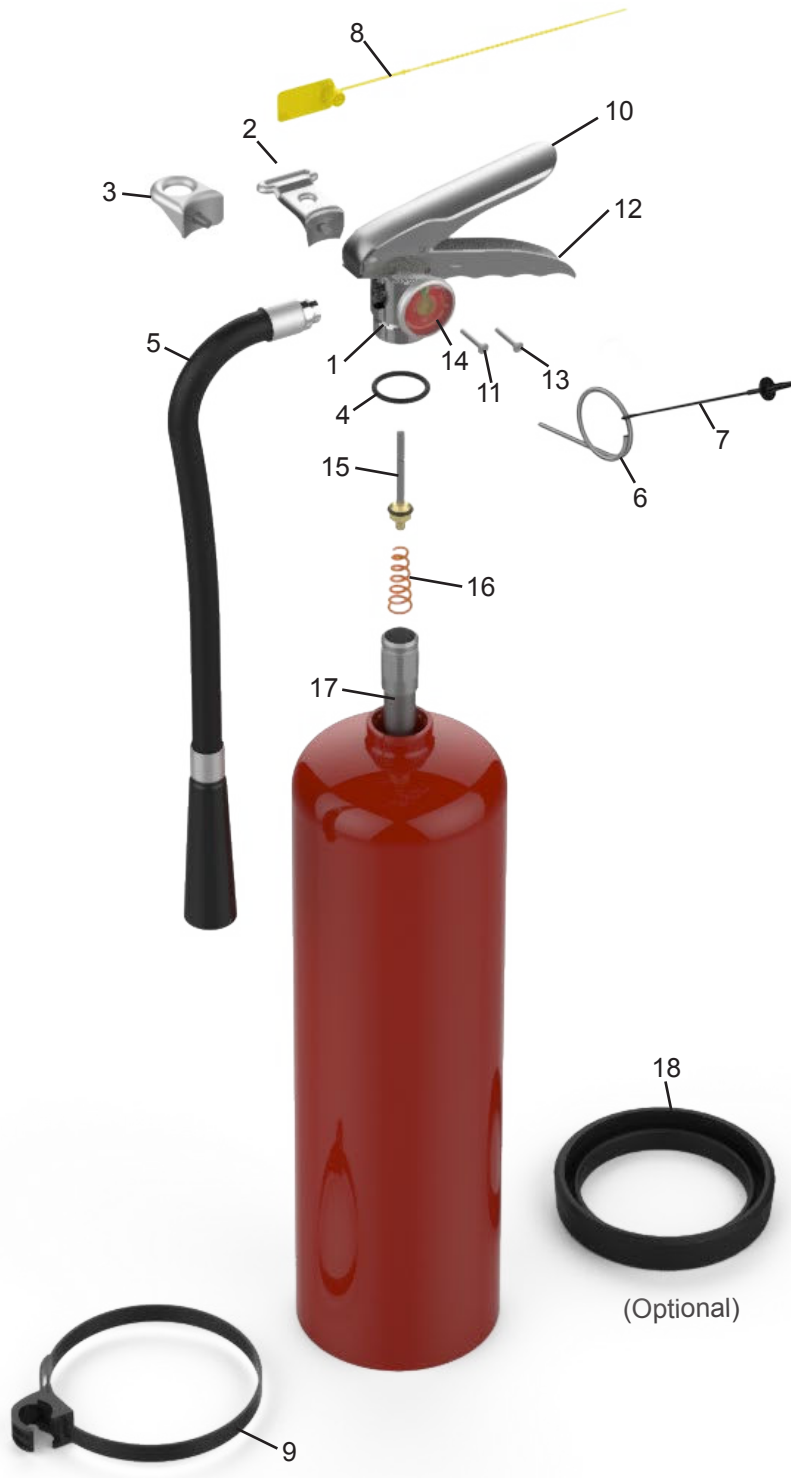


ITEM NO.	PART NO.	DESCRIPTION
1	11823	Standard Valve Assembly - 5, 5½, 6 & 10 lb. with Loop
	11824	Standard Valve Assembly - 20 lb. with Loop
2	14220	Hanger Loop with Screw
3	14849-P	Hose & Horn Assembly - B402 (.157)
	06215-P	Hose & Horn Assembly - B453, B500 (.147)
	05248	Hose & Horn Assembly - B479, B443 (.152)
	05564-P	Hose & Horn Assembly - B456 (.191)
	11221-P	Hose & Horn Assembly - A411 (.209)
	11223	Hose & Horn Assembly - A413 (.177)
	06541	Hose & Horn Assembly - ULC B456X (.166)
	11658	Hose & Horn Assembly - ULC A441X (.221)
4	00160-P	Ring Pin
5	00532-P	Chain (Nylon) for Ring Pin
6	01387-P	Lock Wire Seal (Yellow)
7	11825	Lever & Rivet
8	01060-P	Rivet Only for Lever
9	02625	Lever & Rivet - MODIFIED VALVE
10	03103-P	Gauge - 195 PSI
11	11826	Handle & Rivet - 5 to 10 lb.
	12405	Handle & Rivet - 20 lb.
12	01064-P	Rivet Only for Handle - ALL 5 - 10 lb.
	12201-P	Rivet Only for Handle - 20 LB.
13	09001	Handle & Rivet - MODIFIED VALVE
14	05241-P	Collar O-Ring
15	06092-P	Valve Stem Assembly
16	01074-P	Spring
17	06212	Downtube/Retainer Asy - B402, B453, B479, B500
	03397	B443
	01519	B456
	11674	A411, A413
	15747-P	Strap & Clip Asy (Black Plastic - 3/8" Hose) ALL 5 - 10 lb.
14778-P	Strap & Clip Asy (Black Plastic - 1/2" Hose) ALL 20 lb.	
19	12383	Protective Ring for Bottom of 20 LB. Cylinder - 7" Diameter
ALL BRACKETS - SEE BRACKET PAGE		
ALL FILL & HYDRO-TEST ADAPTERS - SEE ADAPTERS PAGE		
		All Valve Assemblies include Valve Body, Gauge, Lever and Handle, Loop and Screw.



PARTS LIST for 5 - 30 lb. Dry Chemical Brass Valve Models

B424 - 5lb. ABC	423 - 20lb. ABC
B461 - 6lb. ABC	415 - 20lb. PK
B441 - 10lb. ABC	692 - 30lb. ABC
B460 - 10lb. PK	693 - 30lb. PK

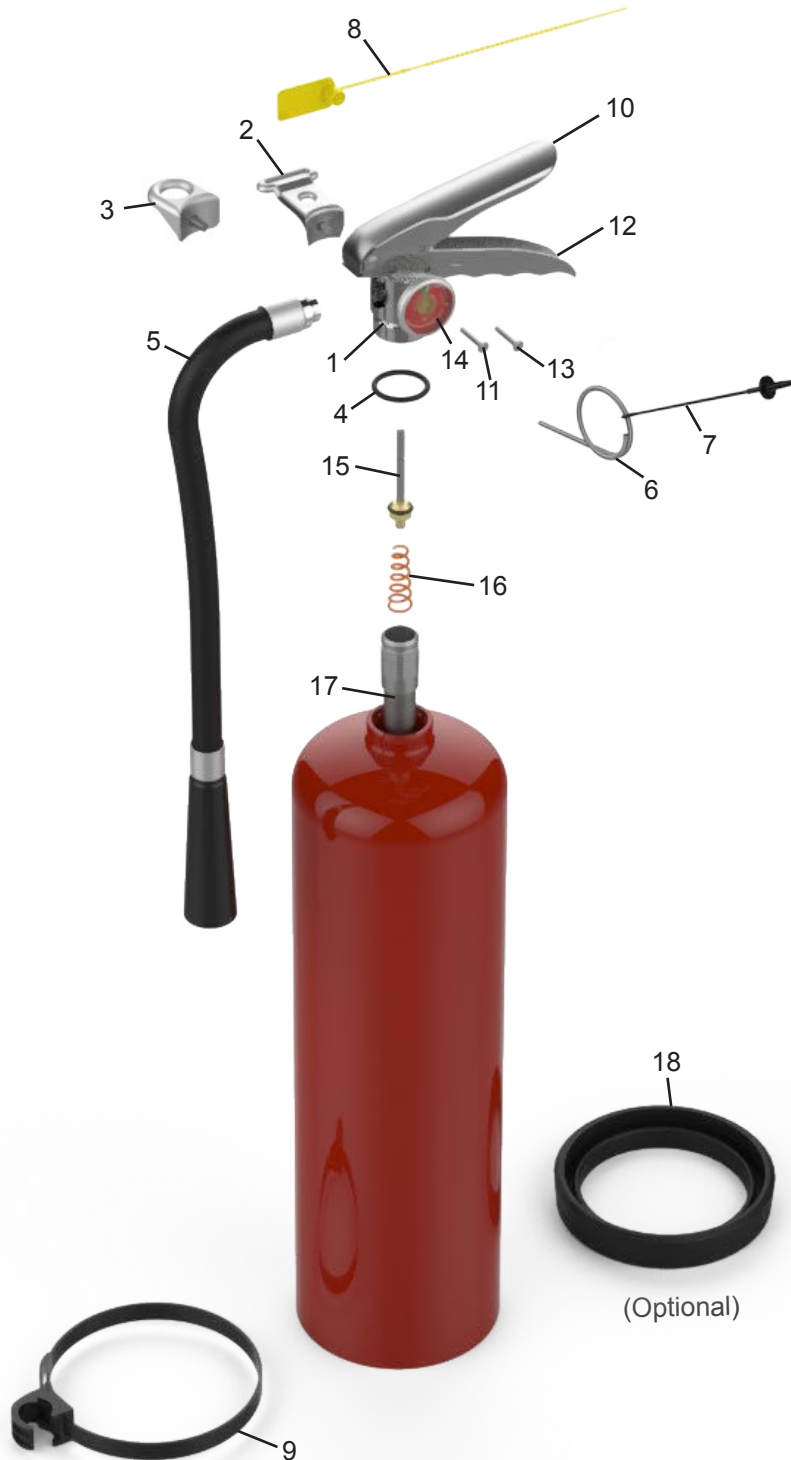


ITEM NO.	PART NO.	DESCRIPTION
1	11952	Valve Assembly - ALL MODELS
2	15363	Hanger Loop with Screw - "B" Models B441, B447, B460 (10 lb.)
3	16694	Hanger Loop with Screw 5 lb., 6 lb., & 20 lb.
	17144	Hanger Loop with Screw 692, 693
4	05240-P	Collar O-Ring
5	03753	Hose & Horn Asy - B424, B461 (.140)
	06095-P	Hose & Horn Assembly - B460, B441 (.152)
	03339-P	Hose & Horn Assembly - 423 (.174)
	05174	Hose & Horn Assembly - 415 (.177)
	12603-P	Hose & Horn Assembly - 692 (.216)
	13439	Hose & Horn Assembly - 693 (.191)
	01304	Hose & Horn Assembly - ULC B441X (.157)
6	00160-P	Ring Pin, Stainless Steel
7	00532-P	Chain (Nylon) for Ring Pin
8	01387-P	Lock Wire Seal (Yellow)
9	15747-P	Strap & Hose Clip Asy (Black Plastic) 3/8" ALL 4 1/4 & 5" Diameter Cylinders (5/6/10 lb.)
	14778-P	Strap & Clip Assembly (Black Plastic) 1/2" ALL 7" Diameter Cylinders (20 lb.)
	14871-P	Strap & Hose Clip Asy (Black Plastic) 1/2" ALL 8" Diameter Cylinders (30 lb.)
10	07762	Lever & Rivet - ALL MODELS
11	01563-P	Rivet Only for Lever
12	09020	Handle & Rivets - ALL MODELS
13	01564-P	Rivets Only for Handle (2 Required)
14	03965-P	Gauge - 195 PSI
15	06093-P	Valve Stem Assembly
16	00383-P	Spring
17	01696	Downtube/Retainer Asy - B424 (5lb.)
	03754	B461 (6 lb.)
	02609	B441, B460 (10 lb. Tall)
	01667	415, 423 (20 lb.)
	09583	692, 693 (30 lb.)
18	12383	Protective Ring for Bottom of Cylinder - 7" (20 lb.)
	12952	Protective Ring for Bottom of Cylinder - 8" (30 lb.)
ALL BRACKETS - SEE BRACKET PAGE		
ALL FILL & HYDRO-TEST ADAPTERS - SEE ADAPTERS PAGE		
All Valve Assemblies include Valve Body, Gauge, Lever and Handle.		



PARTS LIST for 10 - 20 lb. High Flow Dry Chemical Brass Valve Models

720 - 10lb. ABC
722 - 10lb. PK
760 - 20lb. ABC
762 - 20lb. PK



ITEM NO.	PART NO.	DESCRIPTION
1	11952	Valve Assembly - ALL MODELS
2	15363	Hanger Loop with Screw - 720, 722 (10 lb.)
3	16694	Hanger Loop with Screw - 760, 762 (20 lb.)
4	05240-P	Collar O-Ring
5	20914	Hose & Horn Assembly - 720 (.312)
	20908	Hose & Horn Assembly - 722 (.250)
	20912-P	Hose & Horn Assembly - 760 (.266)
	20910	Hose & Horn Assembly - 762 (.228)
6	00160-P	Ring Pin, Stainless Steel
7	00532-P	Chain (Nylon) for Ring Pin
8	01387-P	Lock Wire Seal (Yellow)
9	14778-P	Strap & Clip Assembly (Black Plastic) 1/2" ALL 7" Diameter Cylinders (20 lb.)
10	07762	Lever & Rivet - ALL MODELS
11	01563-P	Rivet Only for Lever
12	09020	Handle & Rivets - ALL MODELS
13	01564-P	Rivets Only for Handle (2 Required)
14	03965-P	Gauge - 195 PSI
15	06093-P	Valve Stem Assembly
16	00383-P	Spring
17	01667	Downtube/Retainer Asy - 760, 762 (20 lb.)
	02609	720, 722 (10 lb.)
18	12383	Protective Ring for Bottom of Cylinder - 7" (20 lb.)
		ALL BRACKETS - SEE BRACKET PAGE
		ALL FILL & HYDRO-TEST ADAPTERS - SEE ADAPTERS PAGE
		All Valve Assemblies include Valve Body, Gauge, Lever and Handle.



PARTS LIST for 1³/₄ - 2¹/₂ gal. Water Mist Extinguisher Models

B270 / C270 - 1³/₄ gal.

B272 / C272 - 2¹/₂ gal.

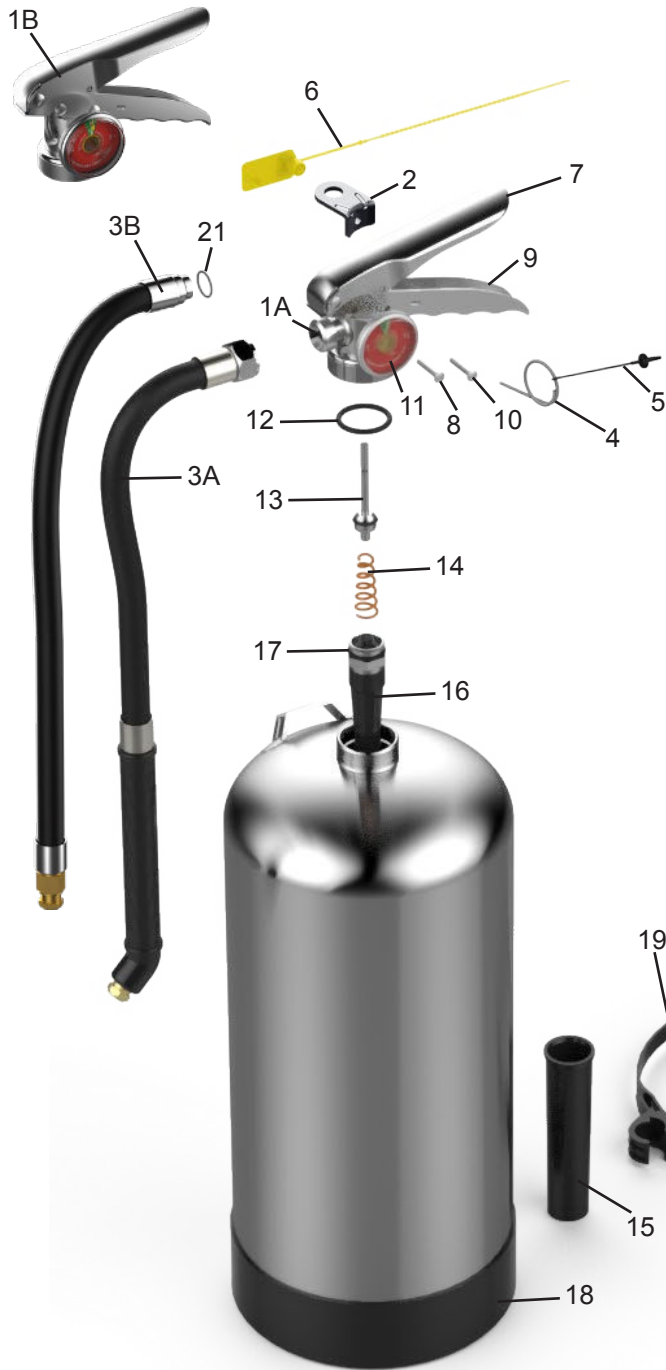


ITEM NO.	PART NO.	DESCRIPTION
1A	17615	Valve Assembly - B270, B272
1B	27795	Valve Assembly - C270, C272
2	14380	Hanger Loop with Screw (Optional)
3A	14184	Hose & Wand Assembly - B272
	14318	Hose & Wand Assembly - B270
3B	27476-P	Hose Assembly - C270
	27708-P	Hose Assembly - C272
4	06901-P	Ring Pin, Stainless Steel (Non-Magnetic)
5	00532-P	Chain (Nylon) for Ring Pin
6	01387-P	Lock Wire Seal (Yellow)
7	07762	Lever & Rivet - ALL MODELS
8	01563-P	Rivet Only for Lever
9	09020	Handle & Rivets - ALL MODELS
10	01564-P	Rivets Only for Handle (2 Required)
11	06479-P	Gauge - 100 PSI (S/S Tube)
12	05240-P	Collar O-Ring
13	06093-P	Valve Stem Assembly
14	00383-P	Spring
15	15943-P	Downtube/Retainer Asy - B272, C272
	15941-P	Downtube/Retainer Asy - B270, C270
16	05690-P	O-Ring Downtube / Retainer
17	02595-P	Fill Tube B272, C272 (Black)
	14316	Fill Tube B270, C270 (Red)
18	14187-P	Foot Stand (Blue)
19	14838-P	Strap & Clip Asy [Blue Plastic - 3/8"] (2 Required)
20	06978-P	O-Ring Hose Assembly - C270, C2272
ALL FILL & HYDRO-TEST ADAPTERS - SEE ADAPTERS PAGE		
All Valve Assemblies include Valve Body, Gauge, Collar Nut, O-Ring, Lever and Handle.		



PARTS LIST for 6 Liter and 2½ gal. Wet Chemical Models

B260 / B260CG / C260 / C260CG - 6 Liter
B262 / B262CG / C262 / C262CG - 2½ gal.



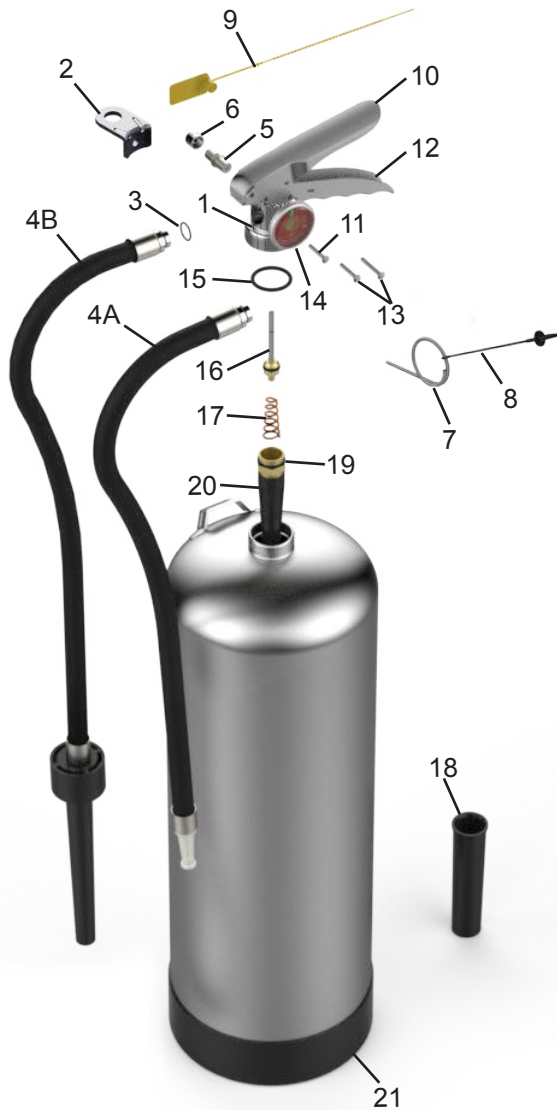
ITEM NO.	PART NO.	DESCRIPTION
1A	14249	Valve Assembly - B260, B260CG, B262, B262CG
1B	14345	Valve Assembly - C260, C262, C260CG, C262CG
2	14380	Hanger Loop with Screw (OPTIONAL)
3A	16043-P	Hose & Nozzle Assembly - B260, B260CG
	16101	Hose & Nozzle Assembly - B262, B262CG
3B	27476-P	Hose & Nozzle Assembly - C260, C260CG, C262, C262CG
4	00160-P	Ring Pin, Stainless Steel
5	00532-P	Chain (Nylon) for Ring Pin
6	01387-P	Lock Wire Seal (Yellow)
7	07762	Lever & Rivet - ALL MODELS
8	01563-P	Rivet Only for Lever
9	09020	Handle & Rivets - ALL MODELS
10	01564-P	Rivets Only for Handle (2 Required)
11	17420-P	Gauge - 100 PSI (S/S Tube) and Thread
12	05240-P	Collar O-Ring
13	14878-P	Valve Stem Assembly
14	00383-P	Spring
15	02595-P	Fill Tube Black
16	16266-P	Downtube/Retainer Asy - B260, B260CG, C260, C260CG
	16267-P	Downtube/Retainer Asy - B262, B262CG, C262, C262CG
17	05690-P	O-Ring Downtube / Retainer
18	03109-P	Foot Stand (Black)
19	14776-P	Strap & Clip Asy [Black Plastic - 3/8"]
20	14669-P	Placard (English/Spanish)
	15874	Placard (English/French)
21	06978-P	O-Ring Hose Assembly - C260, C260CG, C262, C262CG
ALL BRACKETS - SEE BRACKET PAGE		
ALL FILL & HYDRO-TEST ADAPTERS - SEE ADAPTERS PAGE		
All Valve Assemblies include Valve Body, Gauge, Collar Nut, O-Ring, Lever and Handle.		





PARTS LIST for 2½ gal. Water & Foam Models

240 - 2½ gal. Water
250 - 2½ gal. AR-AFFF Foam



ITEM NO.	PART NO.	DESCRIPTION
1	13281	Valve Assembly - 240 w/ air valve
	17616	Valve Assembly - 250
2	14380	Hanger Loop with Screw (OPTIONAL ON FOAM)
3	06978-P	Hose Gasket (O-Ring)
4A	06999-P	Hose & Nozzle Assembly - 240
4B	07000-P	Hose & Aspirated Black Nozzle Assembly - 250
5	00155-P	Pressure Valve & Cap Assembly - 240 Only
6	00158-P	Cap Only for Pressure Valve - 240 Only
7	00160-P	Ring, Pin Stainless Steel
8	00532-P	Chain (Nylon) for Ring Pin
9	01387-P	Lock Wire Seal (Yellow)
10	07762	Lever & Rivet - ALL MODELS
11	01563-P	Rivet Only for Lever
12	09020	Handle & Rivets - ALL MODELS
13	01564-P	Rivets Only for Handle (2 Required)
14	06479-P	Gauge - 100 PSI (S/S Tube)
15	05240-P	Collar O-Ring
16	06093-P	Valve Stem Assembly
17	00383-P	Spring
18	02595-P	Fill Tube (Black)
19	05690-P	O-Ring Downtube / Retainer
20	15943-P	Downtube/Retainer Asy - 240,250
21	03576-P	Foot Stand with Clip (Black) - 240
	03776	Foot Stand with Post (Black) - 250
ALL BRACKETS - SEE BRACKET PAGE		
ALL FILL & HYDRO-TEST ADAPTERS - SEE ADAPTERS PAGE		
All Valve Assemblies include Valve Body, Gauge, Collar Nut, O-Ring, Lever and Handle.		



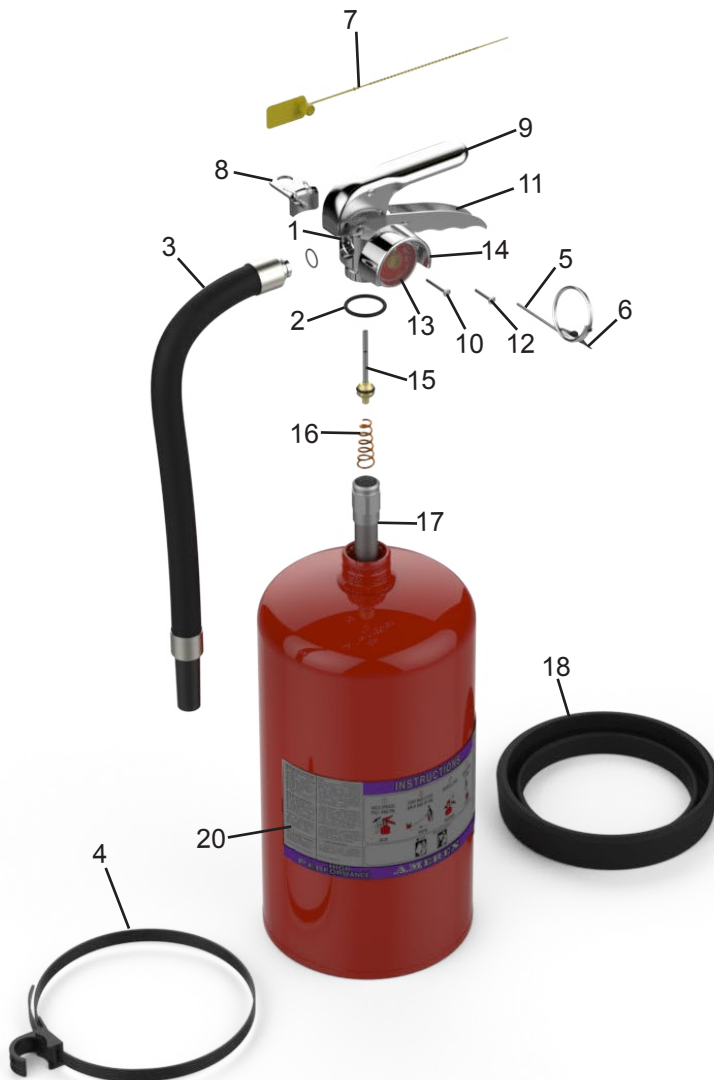
PARTS LIST for 6 Kg - 30 lb. Dry Chemical High Performance and Z-Series Models

High Performance (Galvanized)

- | | |
|--------------------|--------------------|
| 592 - 6kg. ABC CF | 594 - 6kg. ABC FF |
| 599 - 6kg. PK CF | 595 - 6kg. PK FF |
| 564 - 20lb. ABC CF | 581 - 20lb. ABC FF |
| 566 - 20lb. PK CF | 580 - 20lb. PK FF |
| 589 - 30lb. ABC CF | 584 - 20lb. PK FF |
| 591 - 30lb. PK CF | 567 - 30lb. ABC FF |
| | 569 - 30lb. PK FF |

Z-Series

- | | |
|--------------------|--------------------|
| 713 - 6kg. ABC CF | 790 - 6kg. ABC FF |
| 716 - 6kg. PK CF | 793 - 6kg. PK FF |
| 714 - 20lb. ABC CF | 791 - 20lb. ABC FF |
| 717 - 20lb. PK CF | 794 - 20lb. PK FF |
| 715 - 30lb. ABC CF | 795 - 20lb. PK FF |
| 718 - 30lb. PK CF | 792 - 30lb. ABC FF |
| | 796 - 30lb. PK FF |



ITEM NO.	PART NO.	DESCRIPTION
1	14874	Valve Assembly - (Female Outlet Thread)
2	05240-P	Collar O-Ring
3	14785	Hose & Horn Assembly - 594, 790 (.213)
	14791	Hose & Horn Assembly - 595, 793 (.204)
	14788	Hose & Horn Assembly - 580, 581, 791, 794 (.250)
	14790	Hose & Horn Assembly - 592, 713 (.166)
	14794	Hose & Horn Assembly - 599, 716 (.149)
	14787	Hose & Horn Assembly - 564, 714 (.166)
	14786	Hose & Horn Assembly - 566, 717 (.157)
	14789-P	Hose & Horn Assembly - 567, 569, 584, 792, 795, 796 (.312)
	14947	Hose & Horn Assembly - 589, 715 (.213)
	14948	Hose & Horn Assembly - 591, 718 (.180)
4	14778-P	Strap & Clip Assembly (Black Plastic) 1/2" Hose 6kg (13.2 lb.) & 20 lb.
	14871-P	Strap & Clip Assembly (Black Plastic) 1/2" Hose 30 lb.
5	00160-P	Ring, Pin Stainless Steel
6	00532-P	Chain (Nylon) for Ring Pin
7	01387-P	Lock Wire Seal (Yellow)
8	09584	Hanger Loop with Screw
9	09840	Lever & Rivet - ALL MODELS
10	01563-P	Rivet Only for Lever
11	09020	Handle & Rivets - ALL MODELS
12	01564-P	Rivets Only for Handle (2 Required)
13	05225-P	Gauge - 240 PSI
14	09102-P	Gauge Guard, Chrome Plated Brass
15	06093-P	Valve Stem Assembly
16	00383-P	Spring
17	01700	Downtube/Retainer Asy - 6kg (13.2 lb.)
	01667	Downtube/Retainer Asy - 20 lb.
	09583	Downtube/Retainer Asy - 30 lb.
18	12383	Protective Foot Ring for Bottom of Cylinder 7" Dia. - 20lb. & 6kg. (13.2lb.)
	12952	Protective Foot Ring for Bottom of Cylinder 8" Dia. - 30lb.
19*	23504	Nameplate 592, 594
	23505	Nameplate 595, 599
	23506	Nameplate 564, 581
	23507	Nameplate 566, 580, 584
	23509	Nameplate 567, 589
	23510	Nameplate 569, 591
20**	26964	Nameplate 713, 790 Z-Series
	26967	Nameplate 716, 793 Z-Series
	26965	Nameplate 714, 791 Z-Series
	26968	Nameplate 717, 794, 795 Z-Series
	26966	Nameplate 715, 792 Z-Series
	26969	Nameplate 718, 796 Z-Series

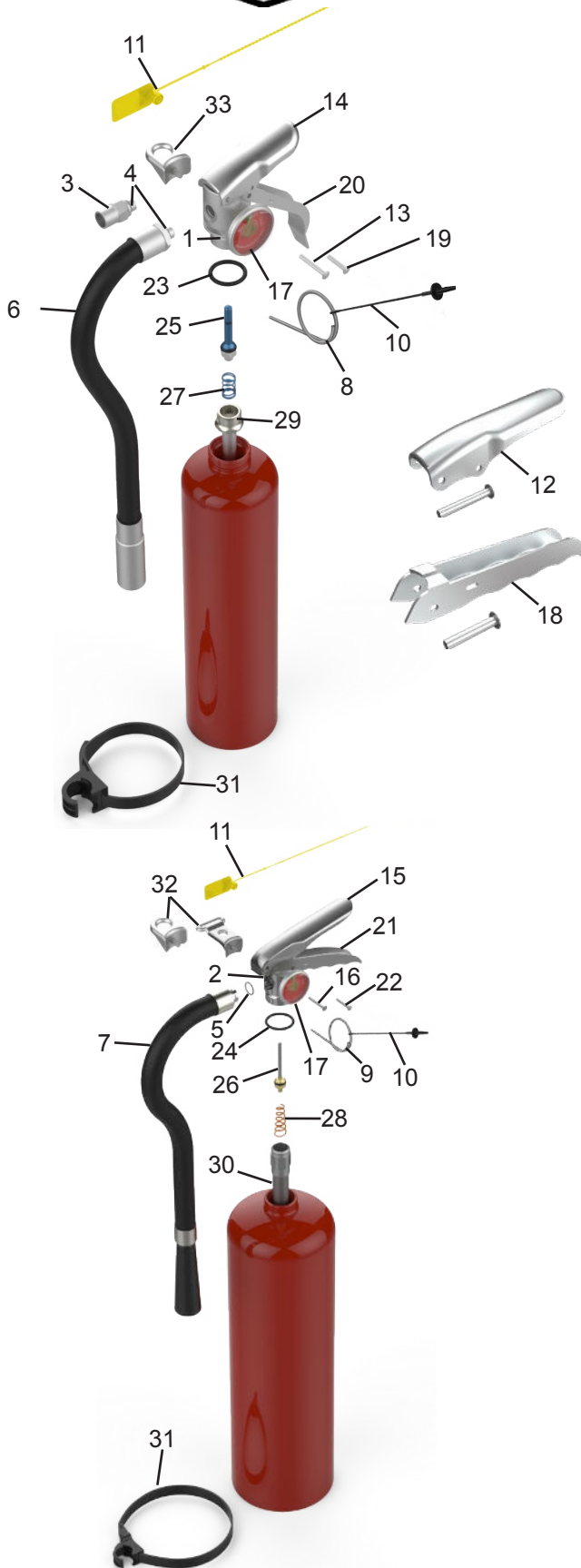
All Valve Assemblies include Valve Body, Gauge, Gauge Guard, Hanger Loop, Lever and Handle.

** Nameplates do not include UL and USCG Listing.



PARTS LIST for 1¼ - 20 lb. Halon 1211 Extinguisher Models

A344 - 1¼ lb. B369 - 9 lb.
 C352 - 2½ lb. B371 - 13 lb.
 C354 - 3 lb. B361 - 17 lb.
 B355 - 5 lb. 372 - 20 lb.

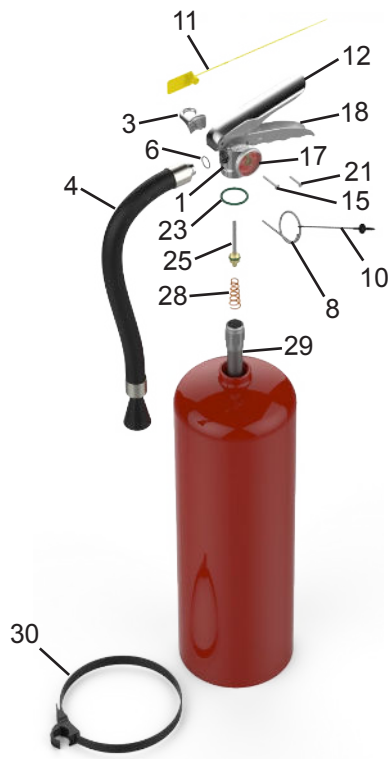
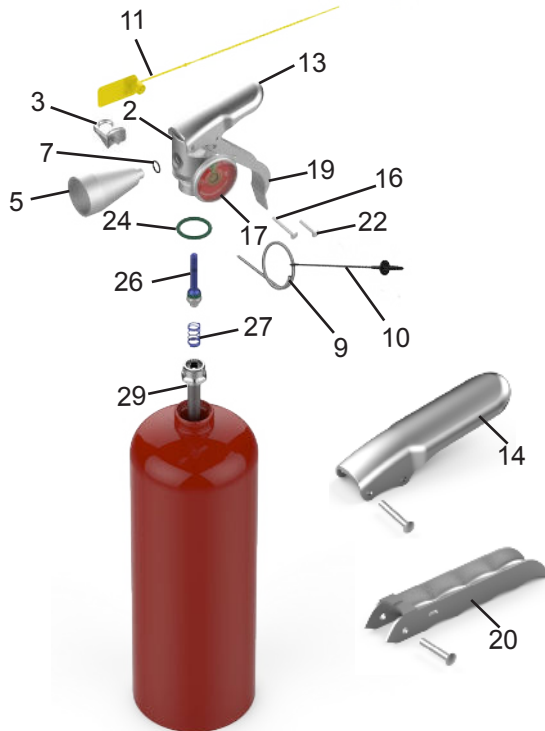


ITEM NO.	PART NO.	DESCRIPTION
1	11953	Standard Valve Assembly - ALUMINUM MODELS (Except A344, C354)
	12597	Modified Valve Assembly - A344
	16275	Modified Valve Assembly - C354
	27335	Standard Valve Assembly - C352, B355
2	11954	Valve Assembly - ALL BRASS MODELS
3	06066	Nozzle with O-Ring - A344 (.067)
	07115	Nozzle with O-Ring - C352 (.098)
	01727-P	Nozzle with O-Ring - B355 (.144)
4	01532-P	Hose/Nozzle Gasket (O-Ring) - Aluminum Valve
5	06978-P	Hose Gasket (O-Ring) - Brass Valve
6	06421	Hose & Horn Assembly - C354 (.098)
	05180	Hose & Horn Assembly - B369 (.216)
	05178	Hose & Horn Assembly - B371 (.234)
	05176	Hose & Horn Assembly - 361 (.152)
7	05174	Hose & Horn Assembly - 372 (.177)
	16268	Ring Pin 1 1/4 lb., 2 1/2 lb. Stainless Steel
8	16268	Ring Pin 1 1/4 lb., 2 1/2 lb. Stainless Steel
9	00160-P	Ring Pin, Stainless Steel
10	00532-P	Chain (Nylon) for Ring Pin
11	01387-P	Lock Wire Seal (Yellow)
12	11825	Lever & Rivet - Standard Valve
13	01060-P	Rivet Only for Lever - ALL ALUMINUM MODELS
14	02625	Lever & Rivet - Modified Valve
15	07762	Lever & Rivet - Brass Valve
16	01563-P	Rivet Only for Lever - Brass Valve
17	04839-P	Gauge - 100 PSI - A344
	03105-P	Gauge - 125 PSI - C352, B355
	03106-P	Gauge - 195 PSI - C354, B361, B369, B371, 372
18	11826	Handle & Rivet
19	01064-P	Rivet Only for Handle - ALL ALUMINUM MODELS
20	09001	Handle & Rivet - Modified Valve
21	09020	Handle & Rivet - Brass Valve
22	01564-P	Rivets for Handle (2 Required) - Brass Valve
23	05241-P	Collar O-Ring - Aluminum Valve
24	05240-P	Collar O-Ring - Brass Valve
25	06092-P	Valve Stem Assembly - Aluminum Valve
26	06093-P	Valve Stem Assembly - Brass Valve
27	01074-P	Spring - All Aluminum Valve
28	00383-P	Spring - All Brass Valve
29	06069	Downtube/Retainer Asy - A344
	01075	Downtube/Retainer Asy - C352, C354
	24302	Downtube/Retainer Asy - B355
30	03754	Downtube/Retainer Asy - B369
	02609	Downtube/Retainer Asy - B371
	01667	Downtube/Retainer Asy - B361, B372
	15747-P	Strap & Clip Assembly (Black Plastic) 3/8" Hose C354
31	14778-P	Strap & Clip Assembly (Black Plastic) 1/2" Hose 361, 372, B369, B371
	15363	Hanger Loop with Screw B371
32	16694	Hanger Loop with Screw 361, B369, 372
	14220	Hanger Loop with Screw - Aluminum Valve
		ALL BRACKETS - SEE BRACKET PAGE
		ALL FILL & HYDRO-TEST ADAPTERS - SEE ADAPTERS PAGE
		All Valve Assemblies include Valve Body, Gauge, Lever and Handle (Loop and Screw 11953) - (12597, 16275 - complete valve assembly without Loop).



PARTS LIST for 1¼ lb. - 15½ lb. Halotron I Extinguisher Models

A384 - 1.4 lb. 397 - 11 lb.
 B385 - 2½ lb. 398 - 15½ lb.
 B386 - 5 lb.
 B394 - 5½ lb.



ITEM NO.	PART NO.	DESCRIPTION
1	14527	Standard Valve Assembly - 397, 398
2	14525	Mod Valve Assembly - 384
	14526	Standard Valve Assembly - B385, B386 with Loop
	17051	Mod Valve Assembly - B394
	27336	Standard Valve Assembly - B385, B386
3	14220	Hanger Loop with Screw - 384, B385, B386, B394
	16694	Hanger Loop with Screw - 397, 398
4	14436	Hose & Nozzle Assembly - 397 (.247)
	14449	Hose & Nozzle Assembly - 398, (.295)
5	14407	Nozzle - 384 (.121)
	14408	Nozzle - B385 (.166)
	14409-P	Nozzle - B386, B394 (.277)
6	06978-P	O-Ring Hose Assembly, Brass Valve
7	01532-P	O-Ring, Nozzle - Aluminum Valve
8	00160-P	Ring Pin
9	16268	Ring Pin 1 1/4, 2 1/2
10	00532-P	Chain (Nylon) for Ring Pin - ALL
11	01387-P	Lock Wire Seal (Yellow) - ALL
12	07762	Lever & Rivet - All Brass Valve
13	02625	Lever & Rivet - MOD Aluminum Valve
14	11825	Lever & Rivet - Aluminum Valve
15	01563-P	Rivet Only for Lever - Brass Valve
16	01060-P	Rivet Only for Lever - Aluminum Valve
17	14418-P	Gauge - 125 PSI - 384, 397, 398
	14417-P	Gauge - 100 PSI - B385, B386
	16332-P	Gauge - 150 PSI - B394
18	09020	Handle & Rivets - 397, 398
19	09001	Handle & Rivet - MOD Aluminum Valve
20	11826	Handle & Rivet - Aluminum Valve
21	01564-P	Rivet Only for Handle (2 Required) - Brass Valve
22	01064-P	Rivet Only for Handle - Aluminum Valve
23	13305-P	Collar O-Ring (Green) - Brass Valve
24	14268-P	Collar O-Ring (Green) - Aluminum Valve
25	13288-P	Valve Stem Assembly (Green Seal) - Brass Valve
26	14327-P	Valve Stem Assembly (Green Seal) - Aluminum Valve
27	01074-P	Spring - All Aluminum Valve
28	00383-P	Spring - All Brass Valve
29	06069	Downtube/Retainer Asy - 384
	01075	Downtube/Retainer Asy - 385
	24302	Downtube/Retainer Asy - B386, B385, B394
	15507	Downtube/Retainer Asy - 397, 398
30	14778-P	Strap & Clip Assembly (Black Plastic) 1/2" Hose 397, 398

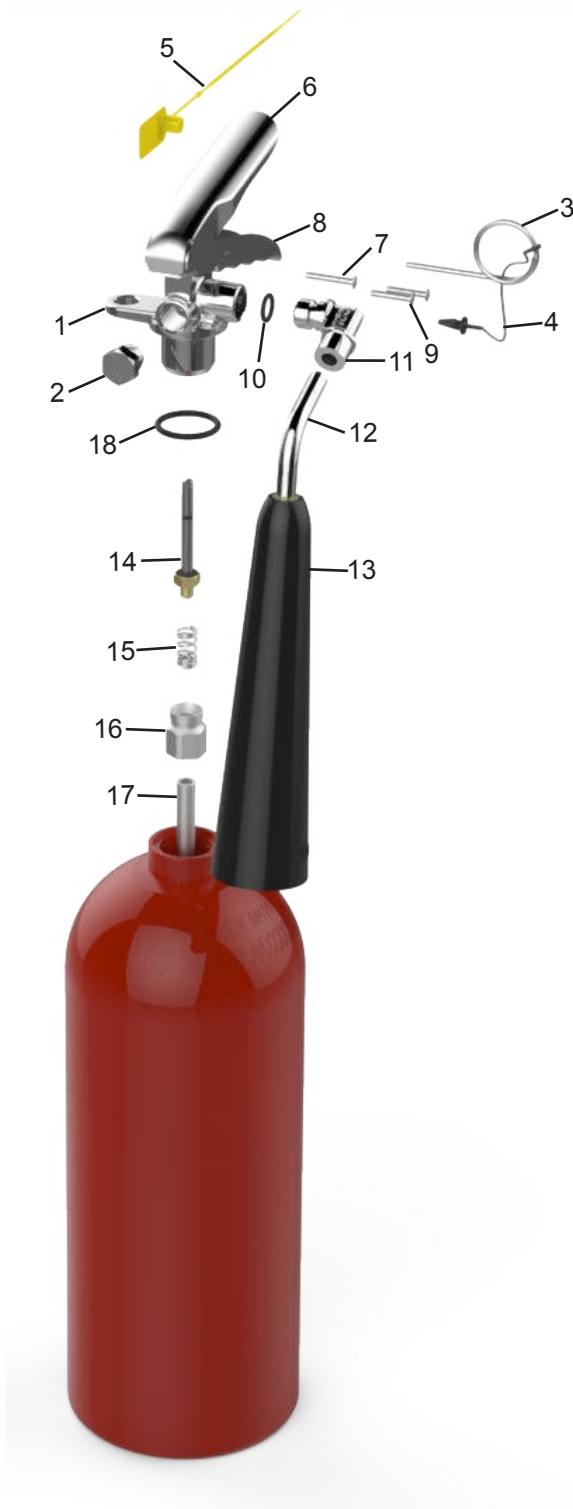
All Valve Assemblies include New Valve Body, Gauge, Lever and Handle. Valve Assembly 14526 also includes hanger loop.



PARTS LIST for 2½ / 5 lb. Carbon Dioxide Extinguisher Model

321M - 2½ lb.
322 - 5 lb.
322NM - 5 lb.

NM - Non Magnetic
M - Military



ITEM NO.	PART NO.	DESCRIPTION
1	03090-P	Valve Assembly - 322, (Does not include elbow or downtube)
2	04000-P	Safety Disc, Gasket and Nut Assembly - 320, 322
	22895	Safety Disc, Gasket and Nut Assembly - 321M
3	00160-P	Ring Pin, Stainless Steel - 322
	06901-P	Ring Pin, Stainless Steel Non-Magnetic - 320NM, 322NM
	16268	Ring Pin, Stainless Steel (Small) - 321M
4	00532-P	Chain (Nylon) for Ring Pin
5	01387-P	Lock Wire Seal (Yellow) - ALL
	07762	Lever & Rivet - 322
6	23076	Lever & Rivet - 321M
	01563-P	Rivet Only for Lever
8	09020	Handle & Rivets - 322
	23077	Handle & Rivets - 321M
9	01564-P	Rivet Only for Handle (2 Required)
	05689-P	O-Ring for Elbow
11	02735-P	Elbow with O-Ring
	01769-P	Discharge Tube - 322
12	22582	Discharge Tube - 321M
	13	01772-P
22400		Horn - 321M
14	01539-P	Valve Stem Assembly
15	00501-P	Spring
16	00503-P	Retainer
17	00533	Downtube - 322
	22443	Downtube - 321M
18	01124-P	Collar O-Ring - 1 1/8"

All Valve Assemblies include Valve Body, Valve Stem Assembly, Spring, Retainer, Safety Disc, Lever and Handle.

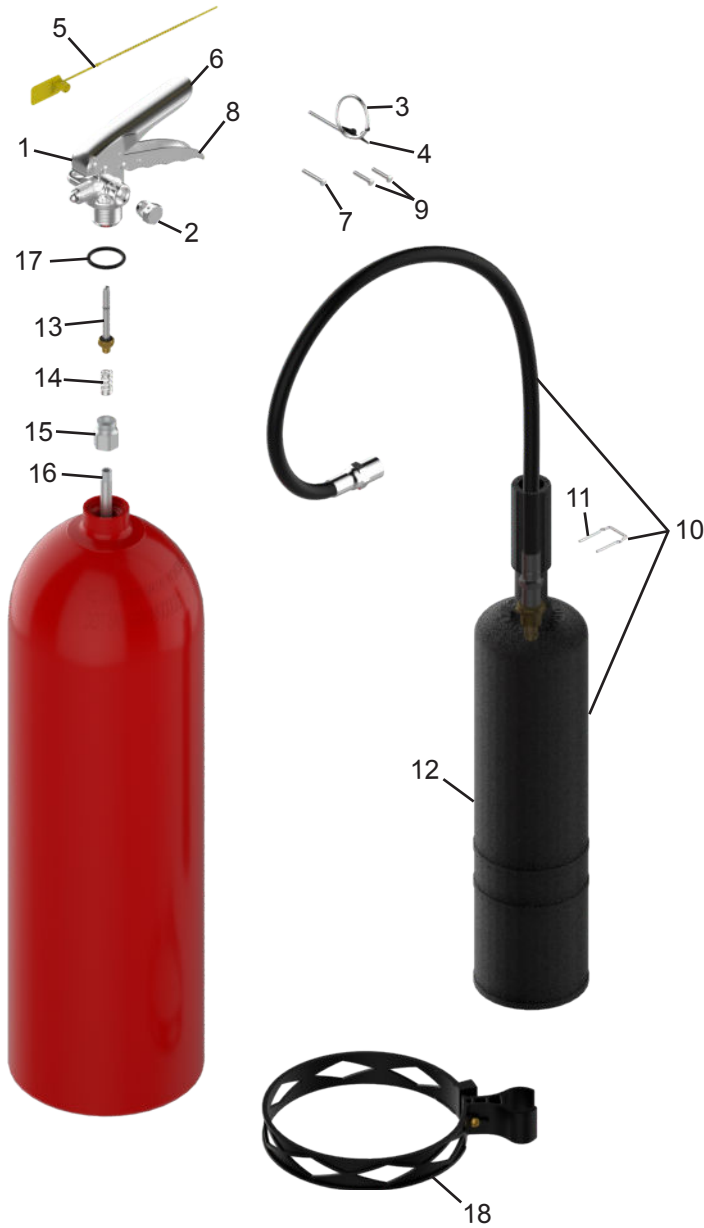


PARTS LIST for 10 - 20 lb. Carbon Dioxide Extinguisher Models

330 - 10 lb.

331 - 15 lb.

332 - 20 lb.



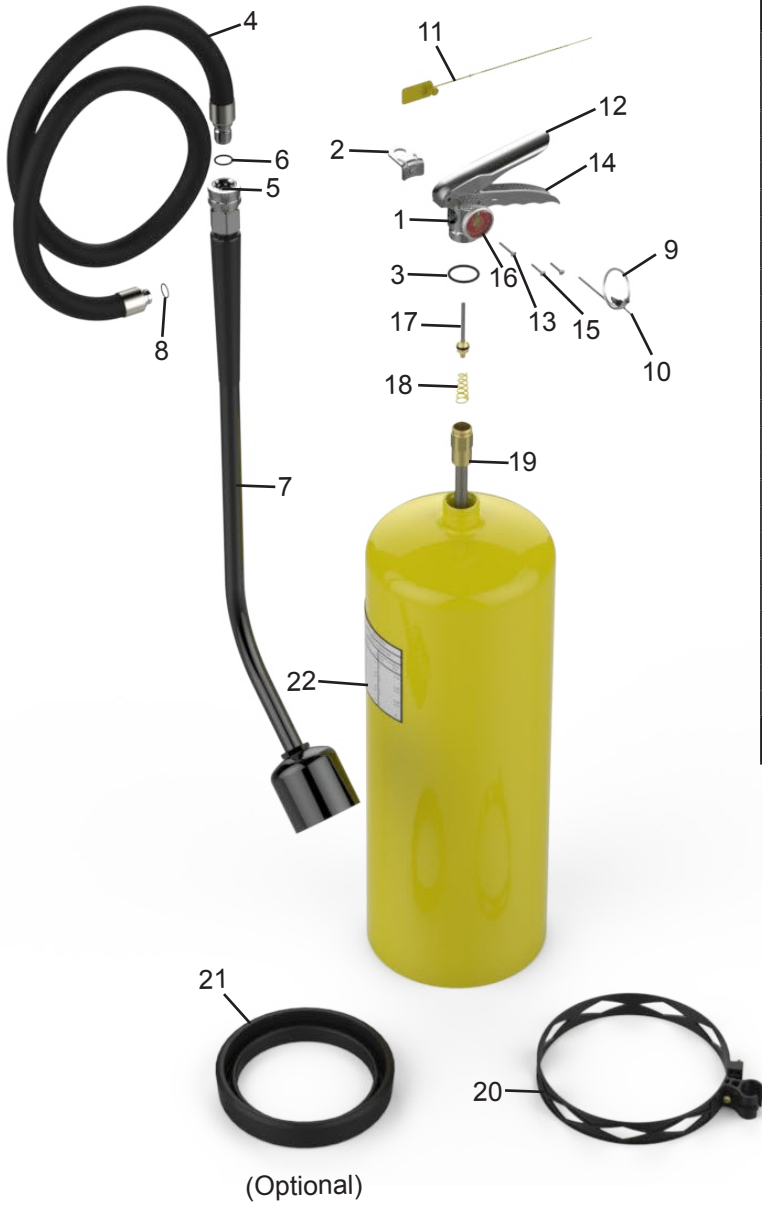
ITEM NO.	PART NO.	DESCRIPTION
1	26846	Valve Assembly
2	04000-P	Safety Disc, Gasket and Nut Assembly
3	00160-P	Ring Pin, Stainless Steel
	06901	Ring Pin, Stainless Steel Non Magnetic
4	00532-P	Chain (Nylon) for Ring Pin
5	01387-P	Lock Wire Seal (Yellow) - ALL
6	07762	Lever & Rivet
7	01563-P	Rivet Only for Lever
8	09020	Handle & Rivets
9	01564-P	Rivet Only for Handle (2 Required)
10	01782	Hose & Horn Assembly - 330
	01705-P	Hose & Horn Assembly - 331, 332
11	00594-P	U-Pin
12	00572-P	Horn - 330
	00593	Horn - 331, 332
13	01539-P	Valve Stem Assembly
14	00501-P	Spring
15	00503-P	Retainer
16	00564	Downtube - 330
	00589	Downtube - 331, 332
17	01124-P	Collar O-Ring - 1 1/8"
18	20570-P	Strap & Clip - 330, 331
	20571-P	Strap & Clip - 332

All Valve Assemblies include Valve Body, Stem Assembly, Spring, Retainer, Safety Disc, Lever and Handle.



PARTS LIST for 30 lb. Class D Extinguisher Models

B570 - Sodium Chloride (Super D)
B571 - Copper
C571 - Copper



ITEM NO.	PART NO.	DESCRIPTION
1	27635	Valve Assembly
2	17144	Hanger Loop with Screw
3	05240-P	Collar O-Ring
4	10744	Hose Asy w/ 1/2" Male Quick Connect
5	10802	Female 1/2" Female Quick Connect
6	09073	O-Ring for Quick Connect
7	10800	Extension Applicator
8	06978-P	Hose Gasket (O-Ring)
9	00160-P	Ring Pin, Stainless Steel
10	00532-P	Chain (Nylon) for Ring Pin
11	01387-P	Lock Wire Seal (Yellow)
12	07762	Lever & Rivet
13	01563-P	Rivet Only for Lever
14	09020	Handle & Rivets
15	01564-P	Rivets Only for Handle (2 Required)
16	27603-P	Gauge - 195 PSI
17	06093-P	Valve Stem Assembly
18	17139-P	Spring
19	17214	Downtube/Retainer Asy - B570, B571
	27580	Downtube/Retainer Asy - C571
20	20572-P	Strap & Clip - B570, B571
	23068-P	Strap & Clip - C571
21	12383	Protective Ring for 7" Cylinder C571
	12952	Protective Ring for 8" Cylinder B570, B571
22	08281	Label (Fire Ratings) - B570
	10853	Label (Fire Ratings) - B571, C571

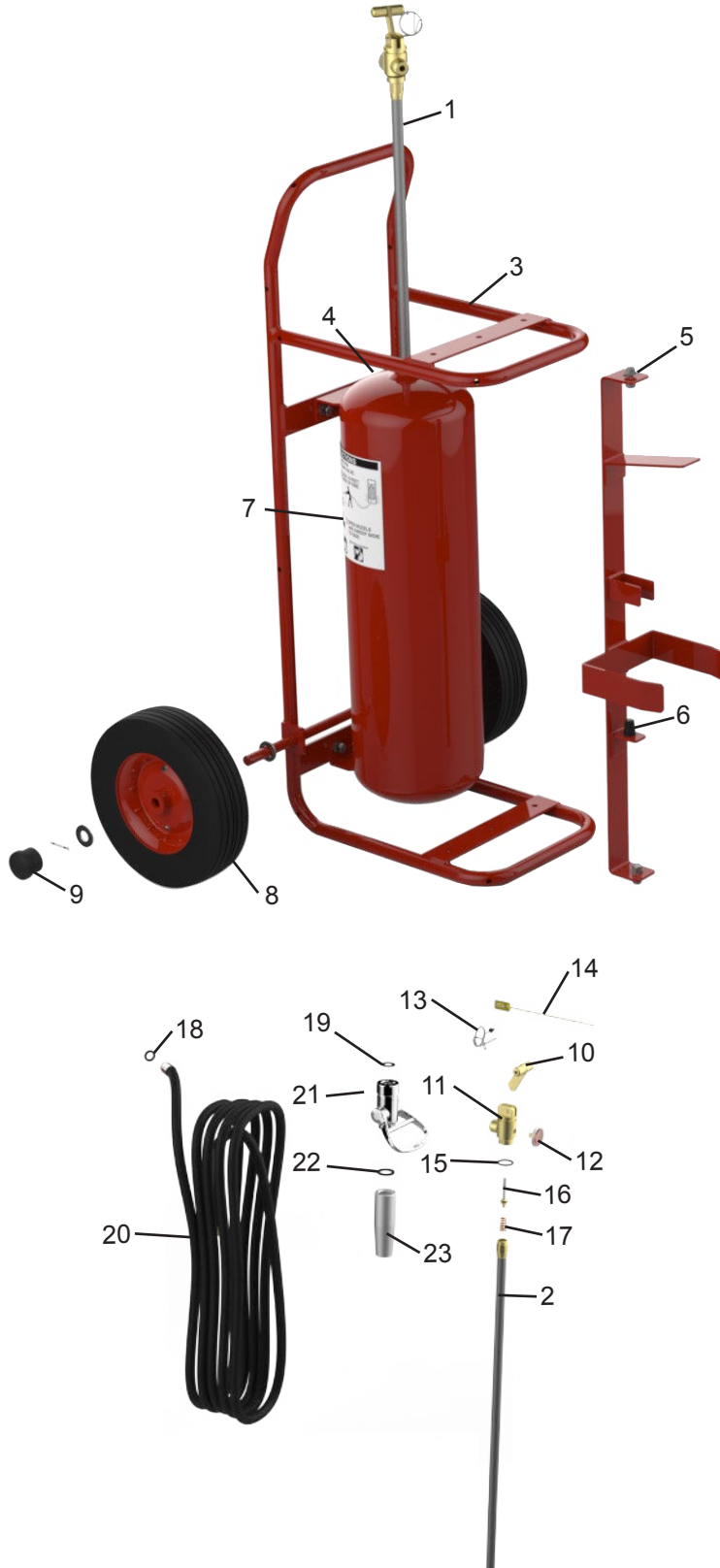
All Valve Assemblies include Valve Body, Gauge, Lever and Handle.



PARTS LIST for 50 lb. Dry Chemical Wheeled Extinguisher Models

495 - 50 lb. ABC

497 - 50lb. PK



ITEM NO.	PART NO.	DESCRIPTION
1	06018	Valve Assembly Complete with Downtube
2	06072	Downtube/Retainer Assembly
3	06625	Carriage Assembly without Wheels
	06074	Carriage Assembly with Wheels
4	00155-P	Pressure Valve and Cap Assembly (Older Models Only)
5	06374	Hose Support with Hardware, Hose Clip and Nozzle Mount
	06376	Nozzle Mount with Hardware
7	07480	Pictogram - Model 495
	07482	Pictogram - Model 497
8	06377	Wheel Assembly 12½" with Hub Cap, Washer and Retaining Pin (Semi-Pneumatic)
9	04945-P	Hub Cap
10	06373	Valve Lever ("T" Handle - Complete)
11	06153	Valve Body
12	05225-P	Gauge - 240 PSI
13	06100	Ring Pin, Stainless Steel with Wire
14	01387-P	Lock Wire Seal (Yellow)
15	05240-P	Collar O-Ring
16	06022-P	Valve Stem Assembly
17	00383-P	Spring
18	07247-P	Gasket, Hose
19	06056-P	Gasket Valve
20	06015	Hose Assembly 1/2 in. X 25 ft. with Gasket
21	06031	Ball Valve Assembly
22	03877-P	Gasket, Nozzle
23	06208	Nozzle Tip - 495 (.328)
	06210	Nozzle Tip - 497 (.281)
24*	25017	Nameplate 495
	25021	Nameplate 497

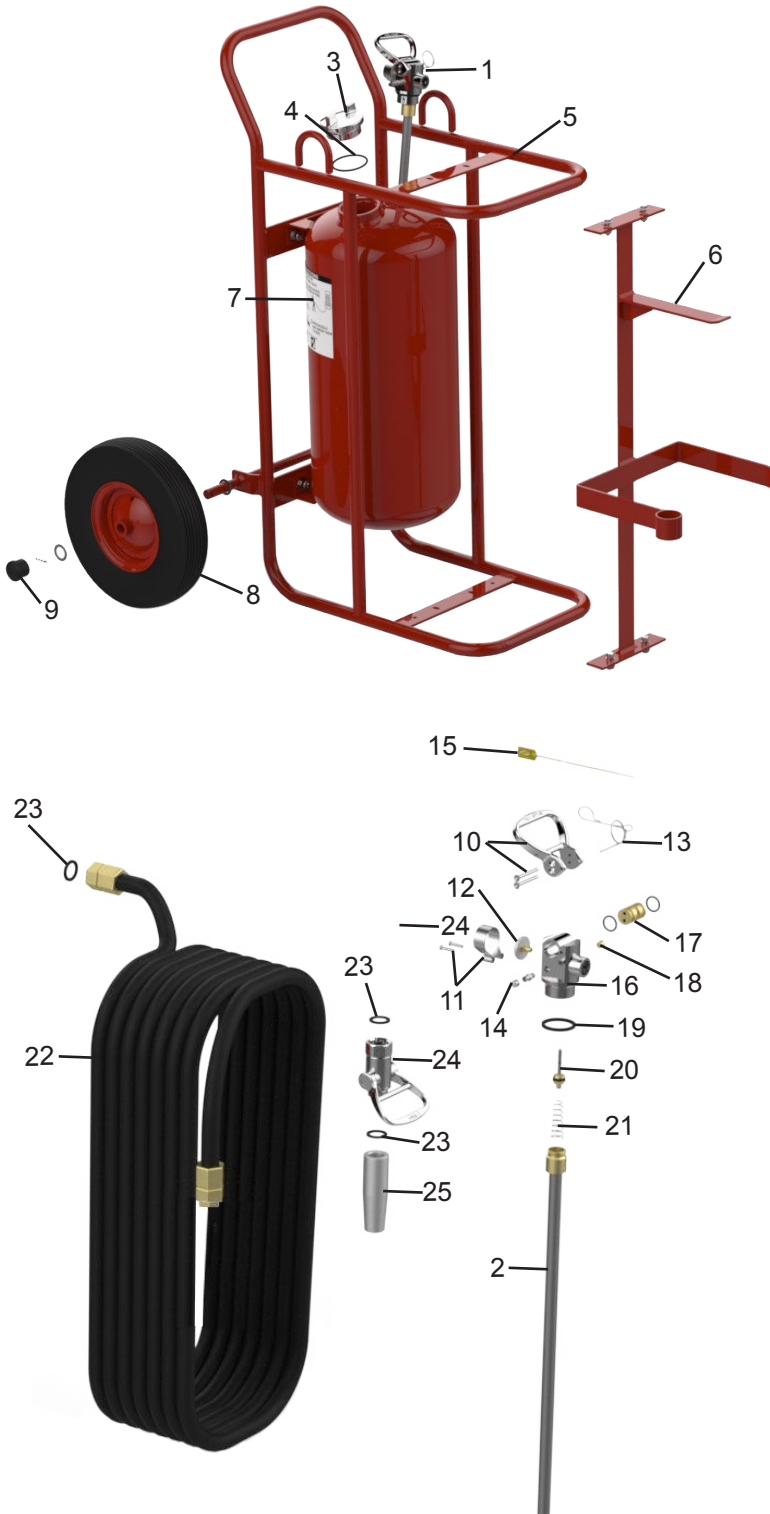
Replacement Valve Assemblies include Valve Body, Gauge, Lever, Valve Stem Assembly, Spring and Downtube/Retainer Assembly.

* Nameplates do not include UL or USCG Listing.



PARTS LIST for 125/150 lb. Dry Chemical Stored Pressure Wheeled Extinguisher Models

488 - 125 lb. ABC
490 - 125 lb. PK



ITEM NO.	PART NO.	DESCRIPTION
1	05197	Valve Assembly Complete with Downtube
2	04938	Downtube/Retainer Assembly
3	09300	Fill Cap
4	08392-P	Gasket, Fill Cap
5	10431	Carriage Assembly without Wheels
6	10430	Hose Support with Hardware
7	07481-P	Pictogram - 488
	07483	Pictogram - 489, 490
8	07751	Wheel Assembly 16" with Hub Cap, Washer and Retaining Pin (Semi-Pneumatic)
9	04945-P	Hub Cap
10	06059	Valve Lever with Screws
11	03562	Gauge Guard
12	05225-P	Gauge - 240 PSI
13	06100	Ring Pin, Stainless Steel with Wire
14	00155-P	Pressure Valve and Cap Assembly
15	01387-P	Lock Wire Seal (Yellow)
16	03678-P	Valve Body
17	06060	Cam Assembly with O-Rings
18	14218-P	Pipe Plug - For Safety Disc Port
19	05239-P	Collar O-Ring
20	05067-P	Valve Stem Assembly
21	03556-P	Spring
22	03501	Hose Assembly 3/4 in. x 50 ft. without Gasket
23	03877-P	Gasket, Hose and Nozzle
24	06279	Ball Valve Assembly
25	06470	Nozzle Tip - 488, 476 (.344)
	06208	Nozzle Tip - 490 (.328)
26*	24973	Nameplate 488
	24977	Nameplate 490
27	16723	Gauge Guard with Screws

Replacement Valve Assemblies include Valve Body, Gauge, Gauge Guard, Cam, Pressure Valve & Cap, Lever, Valve Stem Assembly, Spring, Downtube/Retainer Assembly.

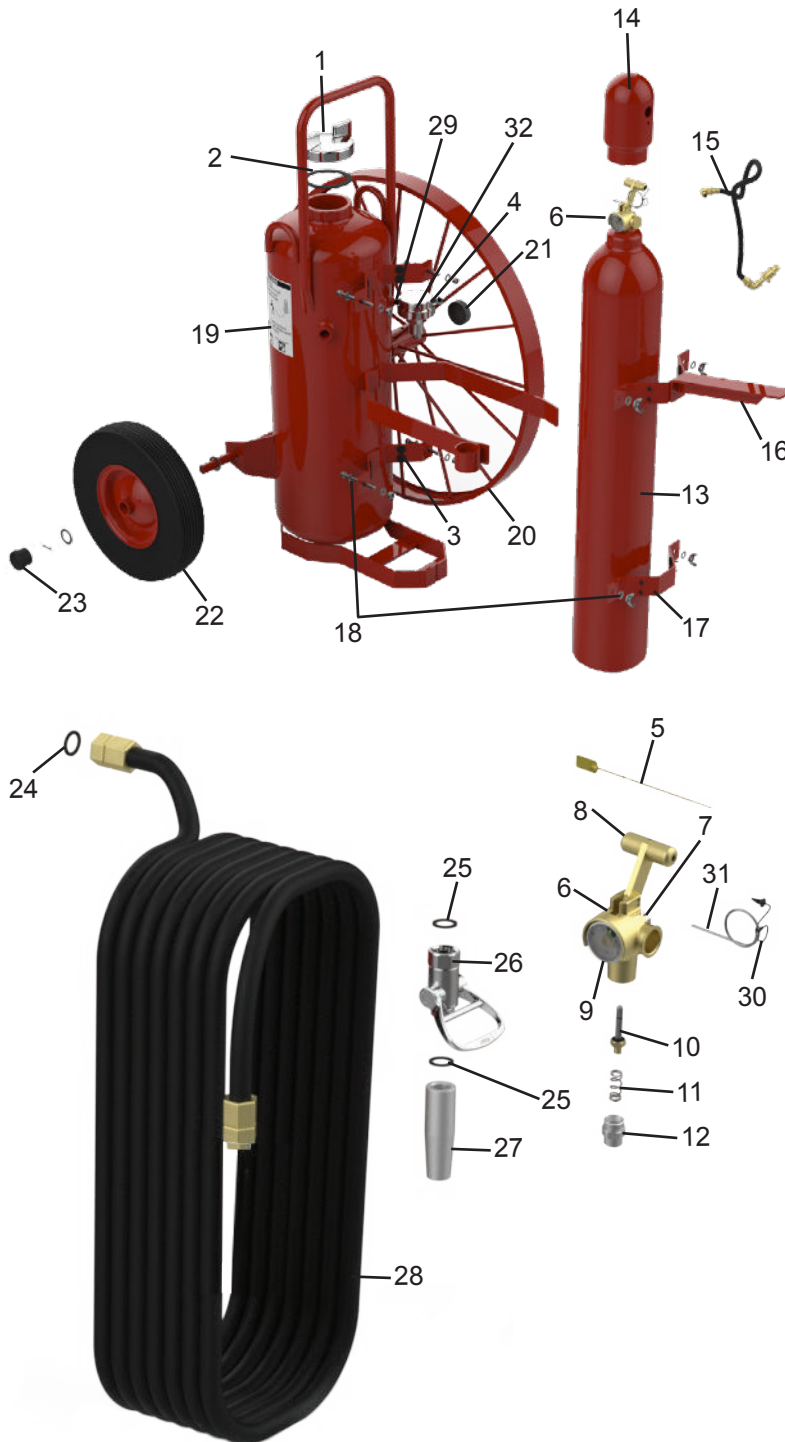
* Nameplates do not include UL or USCG Listing.



PARTS LIST for 125/150 lb. Dry Chemical 110 CU. FT. Nitrogen Cylinder Wheeled Extinguisher Models

16" WHEELS
467 - 125lb. ABC
469 - 125lb. PK

36" WHEELS
470 - 125lb. ABC
472 - 125lb. PK



ITEM NO.	PART NO.	DESCRIPTION
1	06993	Cap, Agent Cylinder
	12576	Cap, Agent Cylinder with Pressure Indicator
2	02272-P	Gasket, Cap
3	13958-P	Bumper, Rubber
4	02235	Nitrogen Pressure Regulator
5	01387-P	Lock Wire Seal (Yellow)
6	12467	Nitrogen Valve with Gauge ("T" Handle Quick Release)
7	16516	Safety Disc, Gasket and Nut Assembly
8	06373	Valve Lever ("T" Handle - Complete)
9	10213-P	Gauge - 3000 PSI
10	09897-P	Valve Stem Assembly
11	12466	Spring
12	09627	Retainer
13	04128	Nitrogen Cylinder (110 cu. ft.) - Charged with Cap
14	12470	Red Cylinder Cap
15	02234	Nitrogen Hose Assembly
16	11024	Retaining Strap (Top) - Nitrogen Cylinder
17	11021	Retaining Strap (Bottom) - Nitrogen Cylinder
18	16483	Bolt, Washer and Wing Nut
	07485	Pictogram - 467, 470
19	07484	Pictogram - 469, 472
	07025	Wheel Assembly - 36" x 2 1/2"
20	07050	Wheel Assembly - 36" x 2 1/2" with Rubber Tread
	16984	Hub Cap - 36" Wheels
21	07389	Hub Cap with Pin and Washer
	07751	Wheel Assembly 16" with Hub Cap, Washer and Retaining Pin (Semi-Pneumatic)
22	04945-P	Hub Cap - 16" Wheels
23	07411	Moisture Seal
24	03877-P	Gasket, Hose and Nozzle
25	06279	Ball Valve Assembly
	06032	Nozzle Tip (.265)
26	03501	Hose Assembly 3/4 in. x 50 ft.
	25114	Hose Assembly 3/4 in. x 100 ft.
27	04523	1/4 SS Pipe Nipple
	00532-P	Chain (Nylon) for Ring Pin
28	00160-P	Ring Pin Stainless Steel
	04444	1/4 MXF Elbow
33*	24961	Namplate 467
	24965	Namplate 469
	24967	Namplate 470
	24971	Namplate 472

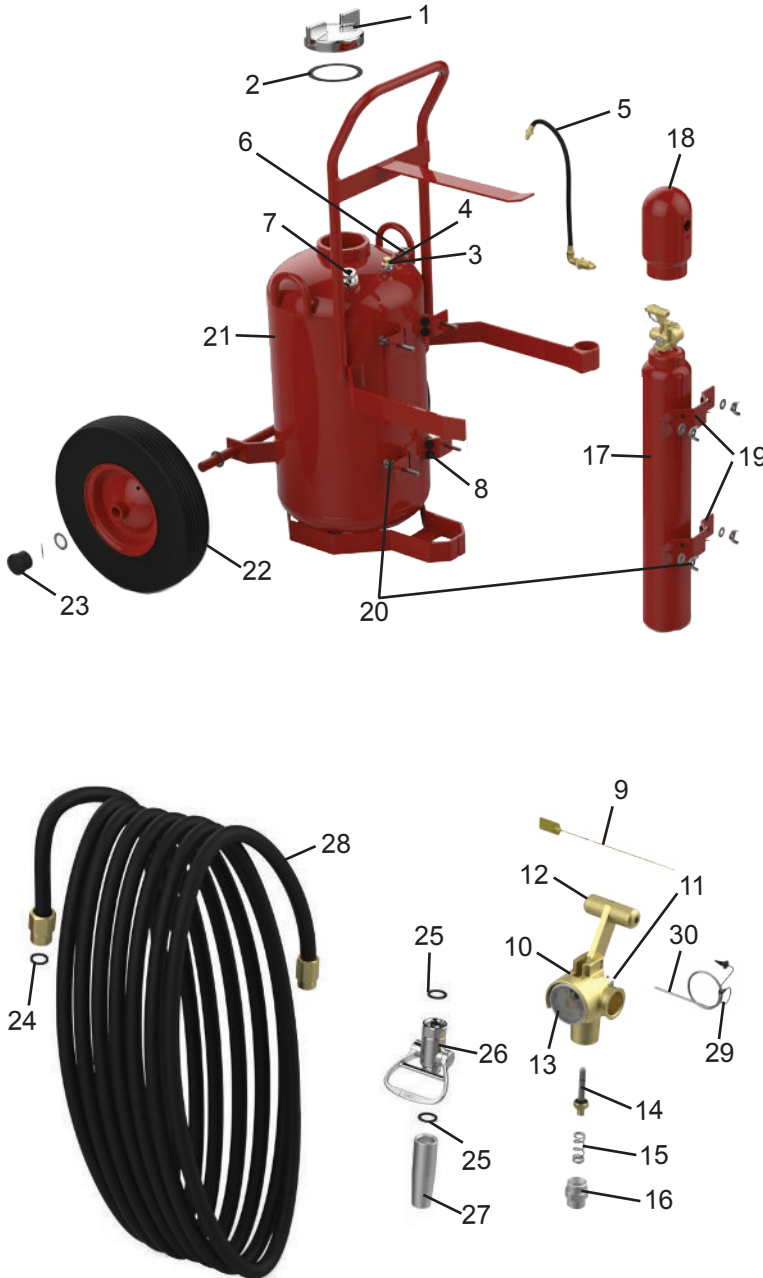
* Nameplates do not include UL or USCG Listing.



PARTS LIST for 125/150 lb. Dry Chemical 23 CU. FT. Nitrogen Cylinder Wheeled Extinguisher Models

450 - 125lb. ABC

452 - 125lb. PK



ITEM NO.	PART NO.	DESCRIPTION
1	06993	Cap, Agent Cylinder
	12576	Cap, Agent Cylinder with Pressure Indicator
2	02272-P	Gasket, Cap
3	03787-P	Safety Disc Assembly
4	13956	Protective Vinyl Cap
5	03818	Nitrogen Hose Assembly
6	03785	Nitrogen Tube Assembly
7	03784	Downtube Assembly
8	13958-P	Bumper, Rubber
9	01387-P	Lock Wire Seal (Yellow)
10	12467	Nitrogen Valve with Gauge ("T" Handle Quick Release)
11	16516	Safety Disc, Gasket and Nut Assembly
12	06373	Valve Lever ("T" Handle - Complete)
13	10213-P	Gauge - 3000 PSI
14	09897-P	Valve Stem Assembly
15	12466	Spring
16	09627	Retainer
17	03817	Nitrogen Cylinder (23 cu. ft.) - Charged with Cap
18	12470	Red Cylinder Cap
19	04072	Retaining Strap - Nitrogen Cylinder
20	11970	Bolt, Washer and Wing Nut
	07485	Pictogram - 450
21	07484	Pictogram - 452
	07751	Wheel Assembly 16" with Hub Cap, Washer and Retaining Pin (Semi-Pneumatic)
22	04945-P	Hub Cap - 16" Wheels
24	07411	Moisture Seal
25	03877-P	Gasket, Hose and Nozzle
26	06279	Ball Valve Assembly
27	06467	Nozzle Tip (.312)
28	03501	Hose Assembly 3/4 in. x 50 ft.
	25114	Hose Assembly 3/4 in. x 100 ft.
29	00532-P	Chain (Nylon) for Ring Pin
30	00160-P	Ring Pin Stainless Steel
31*	24955	Nameplate 450
	24959	Nameplate 452

* Nameplates do not include UL or USCG Listing.



PARTS LIST for 300/350 lb. Dry Chemical 55 CU. FT. Nitrogen Cylinder Wheeled Extinguisher Models

491 - 300lb. ABC
493 - 300lb. PK



ITEM NO.	PART NO.	DESCRIPTION
1	06993	Cap, Agent Cylinder
	12576	Cap, Agent Cylinder with Pressure Indicator
2	02272-P	Gasket, Cap
3	03787-P	Safety Disc Assembly
4	13956	Protective Vinyl Cap
5	07292	Nitrogen Hose Assembly
6	06789	Nitrogen Tube Assembly
7	17235	Downtube Assembly
8	13958-P	Bumper, Rubber
9	01387-P	Lock Wire Seal (Yellow)
10	12467	Nitrogen Valve with Gauge ("T" Handle Quick Release)
11	16516	Safety Disc, Gasket and Nut Assembly
12	06373	Valve Lever ("T" Handle - Complete)
13	10213-P	Gauge - 3000 PSI
14	09897-P	Valve Stem Assembly
15	12466	Spring
16	09627	Retainer
17	06809	Nitrogen Cylinder (55 cu. ft.) - Charged with Cap
18	12470	Red Cylinder Cap
19	11021	Retaining Strap - Nitrogen Cylinder
20	16483	Bolt, Washer and Wing Nut
	07485	Pictogram - 491
21	07484	Pictogram - 493
	07026	Wheel Assembly 36" x 6" (Red)
22	07607	Wheel Assembly 36" x 6" with Rubber Tread
	07389	Hub Cap with Washer and Cotter Pin
23	16984	Hub Cap
	07411	Moisture Seal
24	03877-P	Gasket, Hose and Nozzle
25	06279	Ball Valve Assembly
26	08260	Nozzle Tip - 491 (.531)
	08261	Nozzle Tip - 493 (.469)
27	06814	Hose Assembly 1 in. x 50 ft.
	24211	Hose Assembly 1 in. x 100 ft. (OPTIONAL)
28	04444	Nitrogen Elbow
29	00532-P	Chain (Nylon) for Ring Pin
30	00160-P	Ring Pin Stainless Steel
31*	24979	Nameplate 491
	24983	Nameplate 493

* Nameplates do not include UL or USCG Listing.



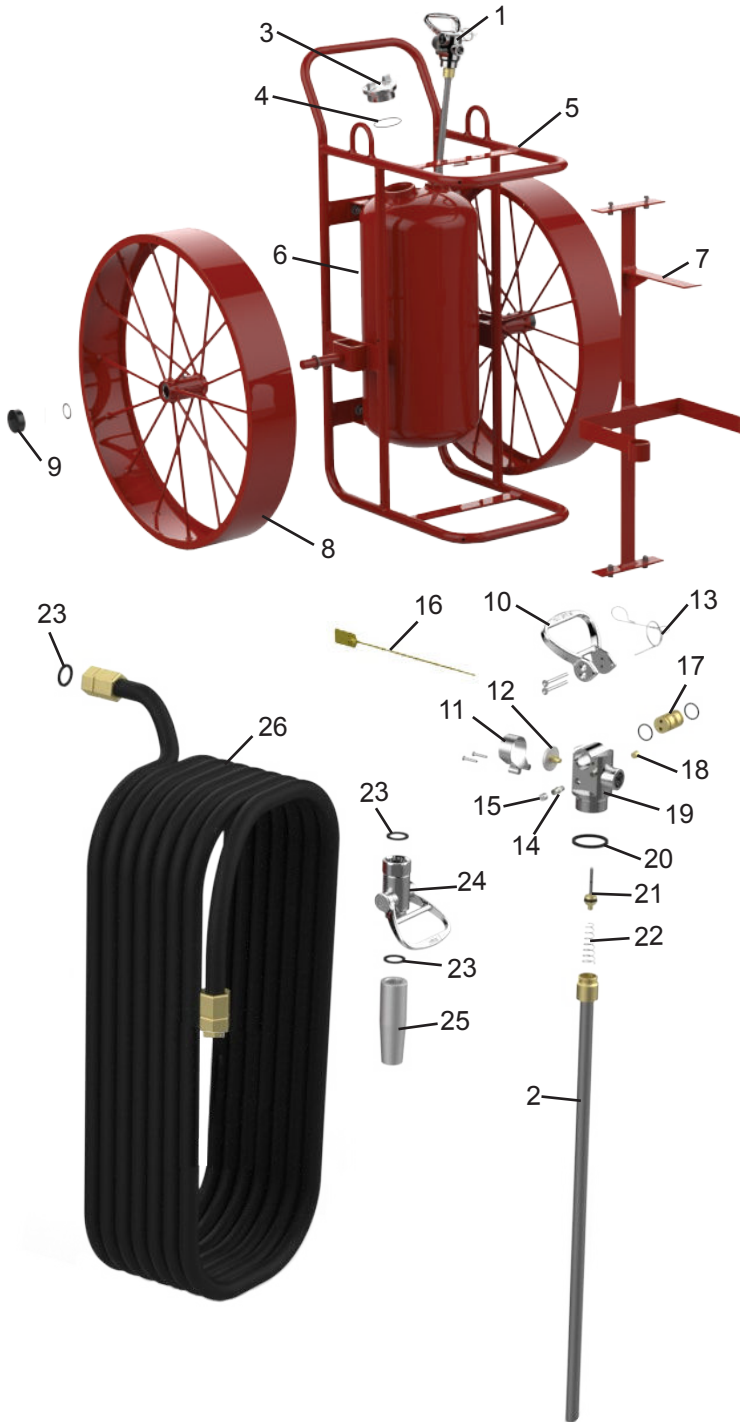
PARTS LIST

for

125/250 lb. Dry Chemical Stored Pressure Wheeled High Performance and Z-Series Extinguisher Models

573 - 250lb. ABC
575 - 250lb. PK
690 - 125lb. PK

756 - 250lb. ABC
758 - 250lb. PK
759 - 125lb. PK



ITEM NO.	PART NO.	DESCRIPTION
1	08715	Valve Assembly Complete with Downtube
	05197	Valve Assembly Complete with Downtube - 690, 759
2	09856	Downtube/Retainer Assembly
	04938	Downtube/Retainer Assembly - 690, 759
3	09300	Cap, Agent Cylinder
4	08392-P	Gasket, Fill Cap
5	27087	Carriage Asy Z-Series without Wheels
	27086	Carriage Asy Z-Series without Wheels - 690, 759
6	07481-P	Pictogram - 573, 756
	07483	Pictogram - 575, 574, 690, 757, 758, 759
7	27078	Hose Support Assembly
	27077	Hose Support Assembly - 690, 759
8	27226	Wheel Assembly Z-Series 36" x 6"
	27071	Wheel Assembly 36" x 6" (Vulcanized Rubber Wheel for 756R, 758R, 759R)
9	07389	Hub Cap with Washer and Cotter Pin
	16984	Hub Cap
10	06059	Valve Lever with Screws
11	16723	Gauge Guard with Screws
12	08714-P	Gauge - 350 PSI
	05225-P	Gauge - 240 PSI - 690, 759
13	06100	Ring Pin, Stainless Steel with Wire
14	07309-P	Pressure Valve
	03559	Pressure Valve - 690, 759
15	07310-P	Cap for Pressure Valve
	00158-P	Cap for Pressure Valve - 690, 759
	01387-P	Lock Wire Seal (Yellow)
17	06060	Cam Assembly with O-Rings
18	08573-P	Safety Disc Assembly (except 690, 759)
	13956	Protective Vinyl Cap
	14218-P	Pipe Plug - 690, 759
19	03678-P	Valve Body
20	05239-P	Collar O-Ring
21	05067-P	Valve Stem Assembly
22	03556-P	Spring
23	03877-P	Gasket, Hose / Nozzle
24	06279	Ball Valve Assembly
25	09399	Nozzle Tip - 573, 756, (.625)
	08260	Nozzle Tip - 575, 690, 758, 759 (.531)
26	06814	Hose Assembly 1 in. X 50 ft.
27*	27082	Nameplate 756
	27069	Nameplate 758
	27075	Nameplate 759
28	03562-P	Gauge Guard

NOTE: Replacement Valve Assemblies include Valve Body, Gauge, Gauge Guard, Safety Disc Assembly, Cam, Pressure Valve & Cap, Lever, Valve Stem Assembly, Spring and Downtube/Retainer Assembly (as required).

* Nameplates do not include UL or USCG Listing.



PARTS LIST for 50/100 lb. Carbon Dioxide Wheeled Extinguisher Models

333 - 50lb.
334 - 100lb.

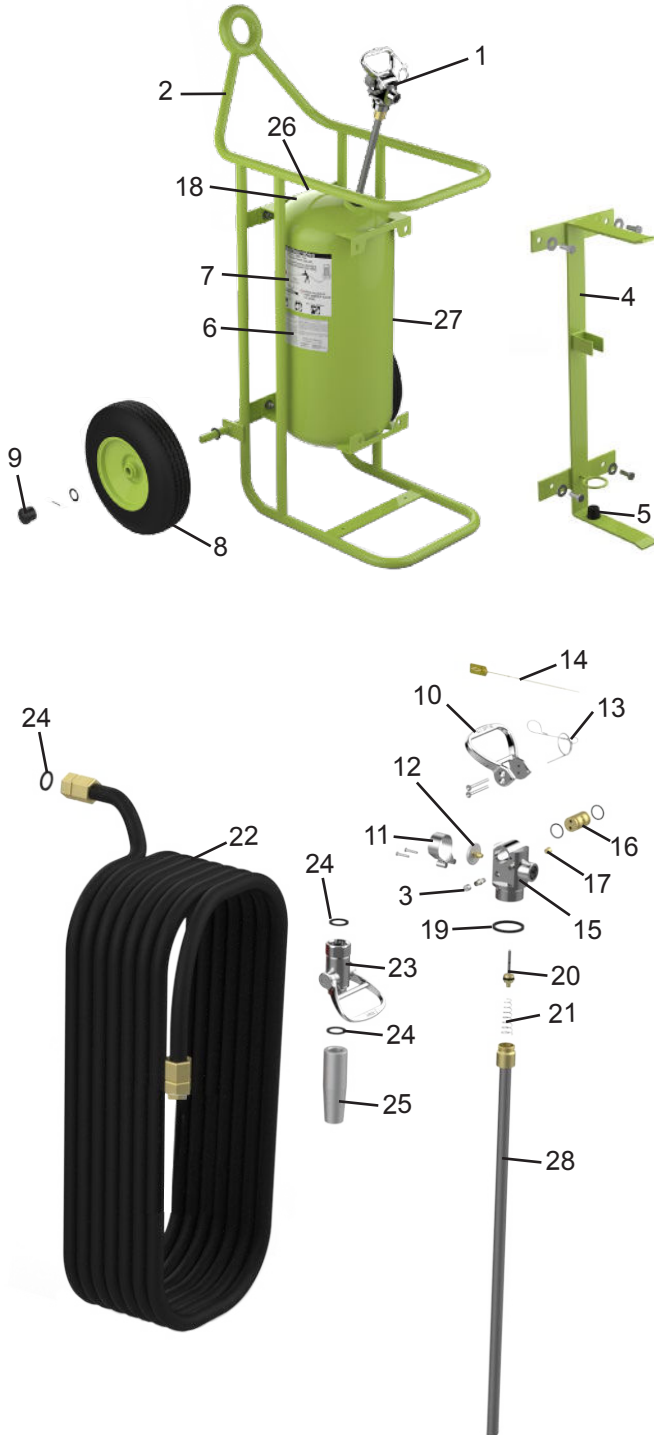


ITEM NO.	PART NO.	DESCRIPTION
1	09891	Carriage Assembly without Wheels - 333
2	09903	Carriage Assembly without Wheels - 334
3	17675	Carriage Assembly with Saddles - 333
4	09618	Pictogram - 333
5	09787	Pictogram - 334
6	07751	Wheel Assembly - 16" with Hub Cap, Washers and Cotter Pin - Semi-Pneumatic
7	04945-P	Hub Cap
8	12470	Red Cylinder Cap
9	06373	Valve Lever ("T" Handle - Complete)
10	04000-P	Safety Disc Assembly
11	09897-P	Valve Stem Assembly
12	00501-P	Spring
13	09627	Retainer
14	09623-P	Downtube
15	01387-P	Lock Wire Seal (Yellow)
16	09895	Valve Assembly Complete with Downtube
17	09892	Horn Clip with Mounting Hardware
18	09893	Saddles with Hardware - 333
19	09904	Saddles with Hardware - 334
20	09545	Hose Assembly - 333,334 (40 ft.)
21	09366	Shut-off Valve Assembly
22	09899	Valve Stem Assembly for Shut-off Valve
23	09901	Spring for Shut-off Valve
24	09896	Handle with Rubber Cover
25	09369	Horn & Nozzle
26	08169	Union (Manifold) - 334
27	09905	Manifold (with Unions) - 334
28	13958-P	Bumper, Rubber
29*	10093	Cylinder Replacement CO2 - 50 lb.
30	09364	Horn and Valve Assembly
31	00532-P	Chain (Nylon) for Ring Pin
32	00160-P	Ring Pin Stainless Steel



PARTS LIST for 50/150 lb. Stored Pressure Wheeled Halon 1211 Extinguisher Model

600 - 150lb.



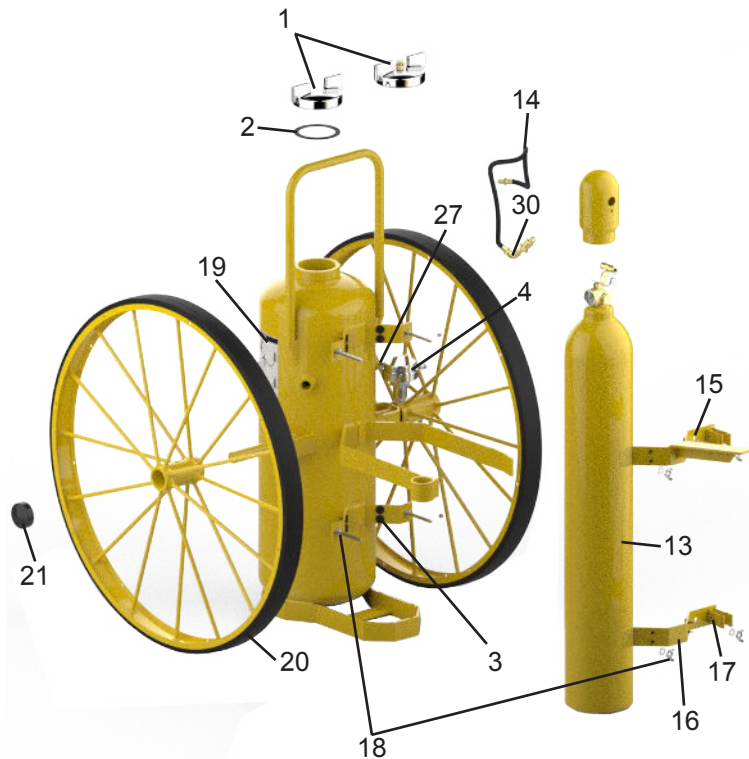
ITEM NO.	PART NO.	DESCRIPTION
1	03499	Valve Assembly Complete with Downtube
2	10523	Carriage Assembly without Wheels
3	00155-P	Pressure Valve Assembly and Cap
4	06061	Hose Support with Mounting Hardware and Nozzle Mount
5	06130	Nozzle Mount with Hardware
6	03624-P	Nameplate (Label) Non U/L
7	07481	Pictogram
8	06062	Wheel Assembly - 16" with Hub Cap, Washer and Retaining Pin - Full Pneumatic (Green)
	07778	Wheel Assembly - 16" with Hub Cap, Washer and Retaining Pin - Semi-Pneumatic (Green)
9	04945-P	Hub Cap
10	06059	Valve Lever with Screws
11	03562-P	Gauge Guard Assembly
12	03523-P	Gauge - 200 PSI
13	06100	Ring Pin, Stainless Steel with Wire
	00160-P	Ring Pin Stainless Steel
14	01387-P	Lock Wire Seal (Yellow)
15	03678-P	Valve Body
16	06060	Cam Assembly with O-Rings
17	03787-P	Safety Disc Assembly
	13956	Protective Vinyl Cap
18	05404-P	Decal Press VS. Temp.
19	05239-P	Collar O-Ring
20	05067-P	Valve Stem Assembly
21	03556-P	Spring
22	03501	Hose Assembly - 3/4" x 50 ft.
23	06279	Ball Valve Assembly
24	03877-P	Gasket, Hose/Valve
25	06355	Nozzle Tip (.375)
26	06370	Plug, Pipe for Agent Level Indicator Hole
27	03506	Cylinder
28	04938	Downtube/Retainer Assembly
29	16723	Gauge Guard Bag Assembly with Screws

Replacement Valve Assemblies include New Valve Body, Gauge, (Gauge Guard, Safety Disc Assembly, Cam - Model 600), Pressure Valve & Cap, Lever, Valve Stem Assembly, Spring and Downtube/Retainer Assembly.



PARTS LIST for 150/250 lb. Class D 110 CU. FT. Argon Cylinder Wheeled Extinguisher Models

680R - 150 lb. Sodium Chloride
681R - 250 lb. Copper



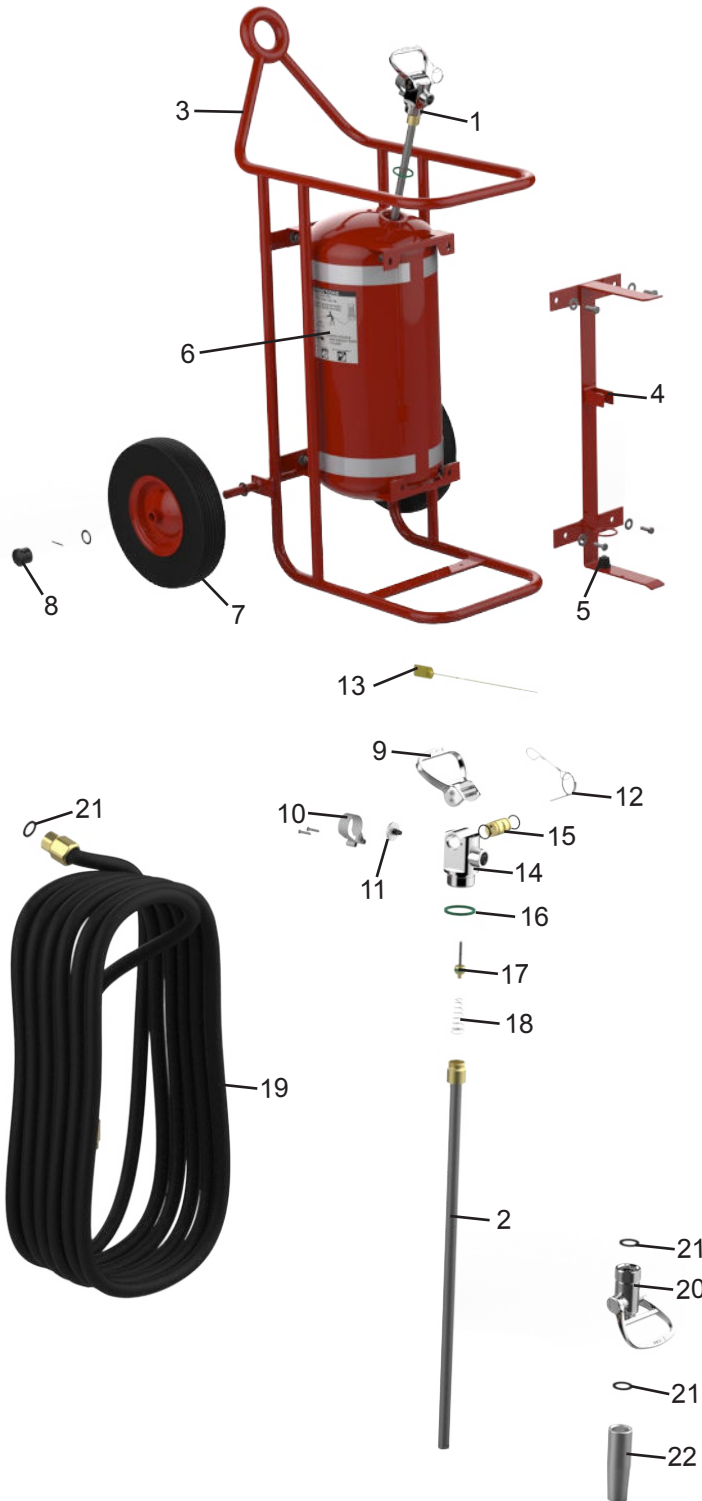
ITEM NO.	PART NO.	DESCRIPTION
1	06993	Cap, Agent Cylinder
	12576	Cap, Agent Cylinder with Pressure Indicator
2	02272-P	Gasket, Cap
3	13958-P	Bumper, Rubber
4	10915	Argon Pressure Regulator
5	01387-P	Lock Wire Seal (Yellow)
6	12467	Argon Valve with Gauge ("T" Handle Quick Release)
7	16516	Safety Disc, Gasket and Nut Assembly
8	06373	Valve Lever ("T" Handle - Complete)
9	10213-P	Gauge - 3000 PSI
10	09897-P	Valve Stem Assembly
11	00501-P	Spring
12	09627	Retainer
13	10904	Argon Cylinder (110 cu. ft.) - Charged with Cap
14	02234	Argon Hose Assembly
15	10906	Retaining Strap with Hose Hanger
16	11020	Retaining Strap (Bottom) - Argon Cylinder
17	08478	Wand Clip
18	16483	Bolt, Washer and Wing Nut
19	10910	Pictogram - 680, 681
20	10917	Wheel Assembly - 36" x 2½" with Rubber Tread
21	16984	Hub Cap - 36" Wheels
	07389	Hub Cap, Washer and Pin - 36" Wheels
22	03877-P	Gasket, Hose/Nozzle
23	06279	Ball Valve Assembly
24	06467	Nozzle Tip (.312) (OPTIONAL)
25	10913	Hose Assembly - ¾" x 25 ft.
26	09740	Wand Applicator Assembly
27	04523	1/4" SS Pipe Nipple
28	00532-P	Chain (Nylon) for Ring Pin
29	00160-P	Ring Pin Stainless Steel
30	04444	1/4" MXF Elbow





PARTS LIST for 65 lb. Stored Pressure Wheeled Halotron I Extinguisher Model

B673



ITEM NO.	PART NO.	DESCRIPTION
1	24760	Valve Assembly Complete with Downtube
2	24795	Downtube/Retainer Assembly
3	16724	Carriage Assembly without Wheels
4	16690	Hose Support with Mounting Hardware
5	06130	Nozzle Mount with Hardware
6	07481-P	Pictogram
7	23837	Wheel Assembly - 16" with Hub Cap, Washer and Retaining Pin - Semi-Pneumatic
8	04945-P	Hub Cap
9	06059	Valve Lever with Screws
10	16723	Gauge Guard with Screws
11	14417-P	Gauge - 100 PSI
12	06100	Ring Pin, Stainless Steel with Wire
13	01387-P	Lock Wire Seal (Yellow)
14	22979	Valve Body
15	06060	Cam Assembly with O-Rings
16	16664-P	Collar O-Ring
17	23811	Valve Stem Assembly
18	22983	Spring
19	03501	Hose Assembly - 3/4" x 50'
20	06279	Ball Valve Assembly
21	03877-P	Gasket, Hose/Nozzle
22	24775	Nozzle Tip (.330)
23	25025	Nameplate
24	03562-P	Gauge Guard

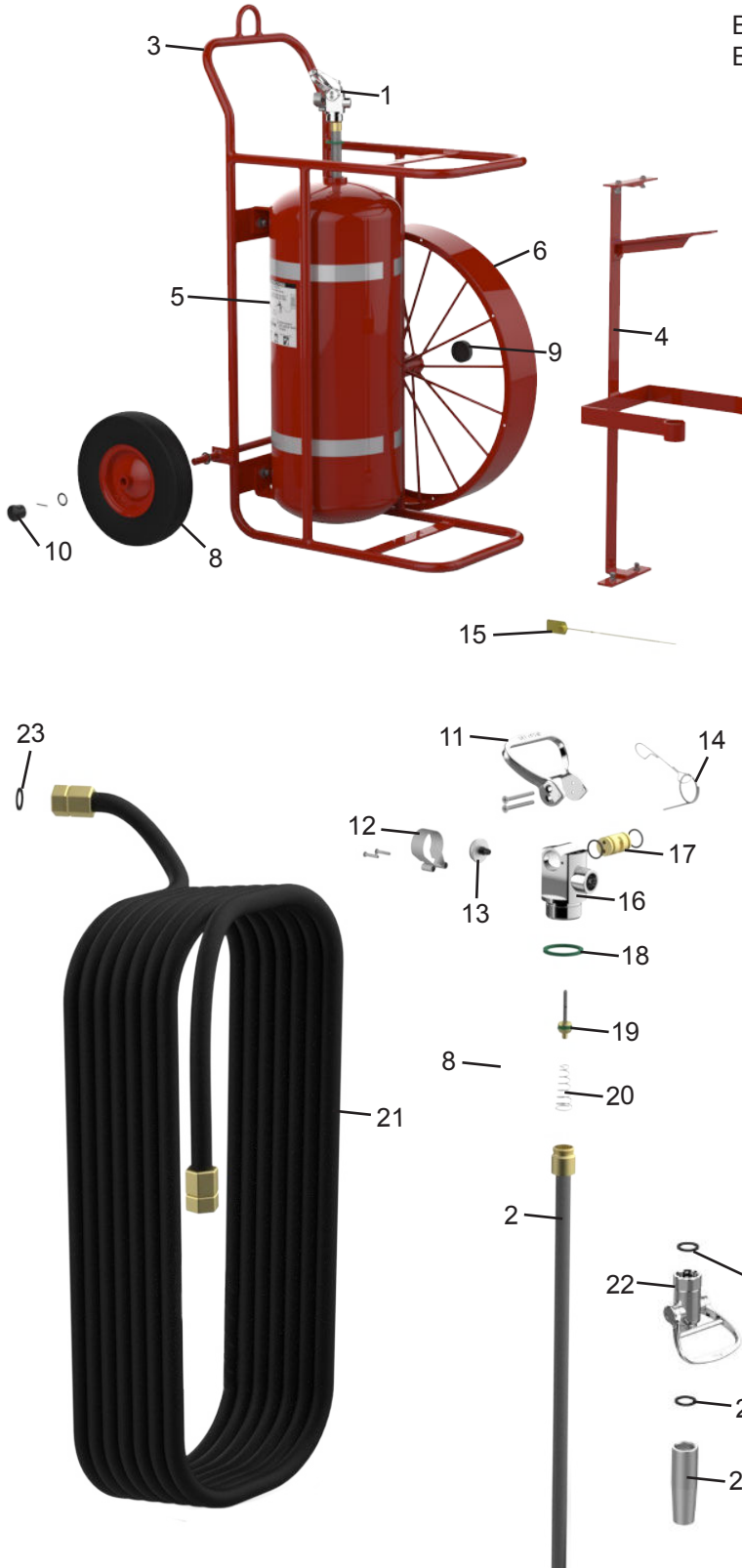
Replacement Valve Assemblies include Valve Body, Gauge, Gauge Guard, Cam, Lever, Valve Stem Assembly, Spring and Downtube/Retainer Assembly.

* Nameplates do not include UL or USCG Listing.



PARTS LIST for 150 lb. Stored Pressure Wheeled Halotron I Extinguisher Models

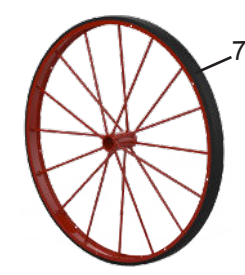
B674 - 16" Semi-Pneumatic Non-Galvanized Wheels
B675 - 36" x 2 1/2" Steel w/ Rubber Tread Wheels



ITEM NO.	PART NO.	DESCRIPTION
1	23808	Valve Assembly Complete with Downtube
2	23809	Downtube/Retainer Assembly
3	16727	Carriage Assembly without Wheels - B674
4	16725	Hose Support with Mounting Hardware
5	07481-P	Pictogram
6	07026	Wheel Assembly - 36" x 6" - 675 (Optional B675)
7	07050	Wheel Assembly - 36" x 2 1/2" - B675
8	23837	Wheel Assembly - 16" with Hub Cap, Washer and Retaining Pin, Semi-Pneumatic, Non-Galvanized - B674
9	16984	Hub Cap for 36" Wheels
	07389	Hub Cap for 36" Wheels with Washer and Cotter Pin
10	04945-P	Hub Cap
11	06059	Valve Lever with Screws
12	16723	Gauge Guard with Screws
13	16332	Gauge - 150 PSI
14	06100	Ring Pin, Stainless Steel with Wire
15	01387-P	Lock Wire Seal (Yellow)
16	22979	Valve Body
17	06060	Cam Assembly with O-Rings
18	16664-P	Collar O-Ring
19	23811	Valve Stem Assembly
20	22983	Spring
21	03501	Hose Assembly - 3/4" x 50'
22	06279	Ball Valve Assembly
23	03877-P	Gasket, Hose/Nozzle
24	23665	Nozzle Tip (.692)
25*	25027	Nameplate
26	03562-P	Gauge Guard

Replacement Valve Assemblies include Valve Body, Gauge, Gauge Guard, Cam, Lever, Valve Stem Assembly, Spring and Downtube/Retainer Assembly.

* Nameplates do not include UL or USCG Listing.



(B Models Only)



PARTS LIST for 150lb. Stored Pressure Wheeled Novec 1230™ Extinguisher Model

775 - 150lb. 16" Wheels



ITEM NO.	PART NO.	DESCRIPTION
1	22978	Valve Assembly 150 Novec
2	21941	Hose Support w/ Hardware
3	21920	Carriage Assembly 150 Novec GR 775
4	06062	Wheel Assembly 16" Pneumatic w/ Hardware
	07778	Wheel Assembly 16" Semi-Pneumatic w/ Hardware
5	04945-P	Hub Cap Black 16" Wheel
6	06130	Mount Rubber w/ Hardware
7	19793	Nozzle Tip .531
8	03877-P	Gasket
9	06279	Ball Valve Assembly 150
10	23634	Nozzle Assembly (Ball Valve and Tip) .531
11	07481-P	Pictogram
12	23544	Hose Assembly 1" x 40'
13	01387-P	Lock Wire Seal (Yellow)
14	22979	Valve Body
15	22984	Valve Stem Assembly
16	06060	Cam w/ O-Rings
17	06059	Valve Lever w/ Screws
18	22983	Valve Spring
19	16723	Gauge Guard with Screws
20	06100	Pull Pin and Wire
21	19789	Gauge 125 Novec
22	19787	Downtube Assembly
23	05239-P	Collar O-Ring
24	25029	Nameplate
25	03562	Gauge Guard

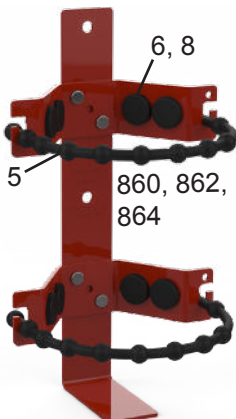
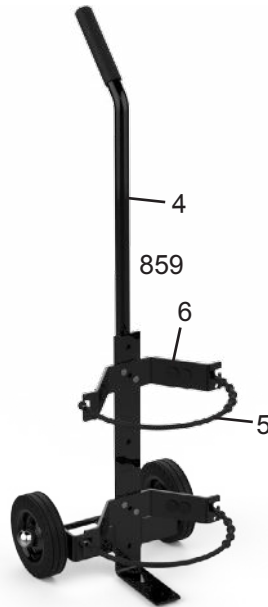
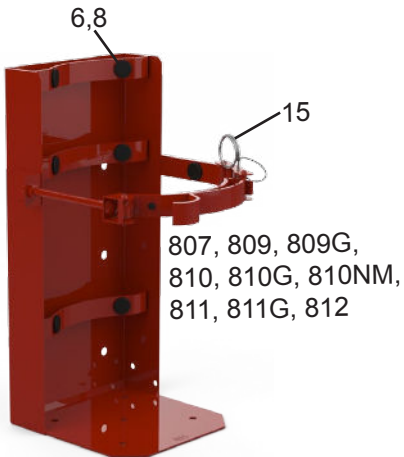
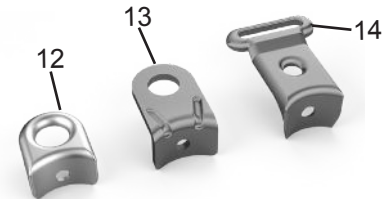
Replacement Valve Assemblies include Valve Body, Gauge, Gauge Guard, Lever, Valve Stem Assembly, Spring, Pull Pin/Wire and Downtube/Retainer Assembly.

* Nameplate do not include UL or USCG Listing.





Wall Brackets Miscellaneous Items

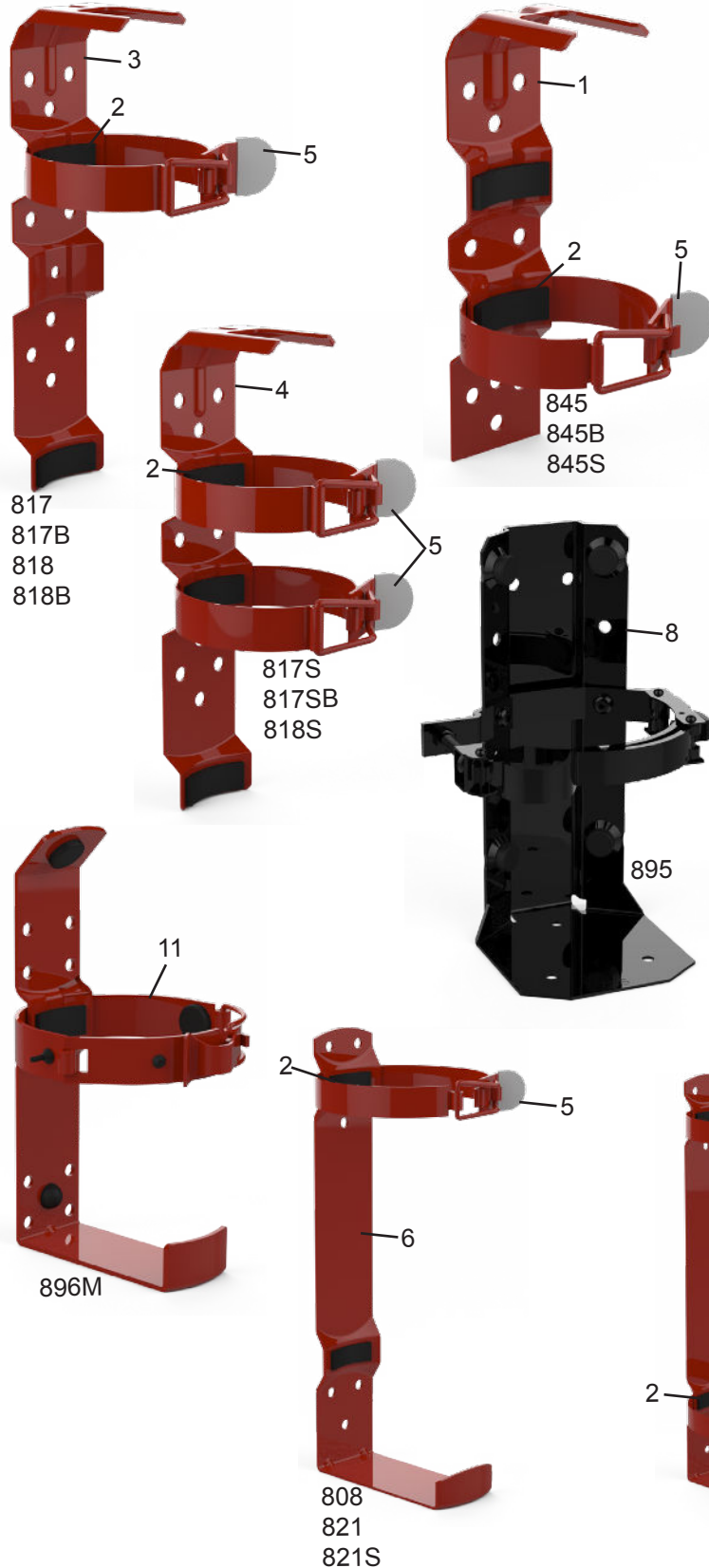


PART NO.	PART NO.	DESCRIPTION
1	04834-P	Wall Hanger Bracket (Red) - All 1 lb., 1 1/4 lb., 1.4 lb., 2 1/2 lb., 3 lb. Aluminum Valve Models
	01521-P	Wall Hanger Bracket (Red) - All 5 lb. & 5 1/2 lb. Aluminum Valve Models
	05525	Wall Hanger Bracket (Red) - All 6 lb. & 10 lb. Tall Aluminum Valve Models
2	01007-P	Wall Hanger Bracket (Red) - 240, 250, 252, 254, 361*, 369, B371, 372*, 408*, 415*, 419*, 423*, 424, B441, B447, B460, 461, 462, A411*, A412*, A413*, 260, 262, B260, B262, 720, 721, 722 (* For extinguishers manufactured before 2004)
	14315-P	Wall Hanger Bracket (Stainless Steel) - Non-Magnetic - 270, 272, B270, B272
3	09582-P	Wall Hanger Bracket (Red) - All 13.2 lb (6Kg) and 20 lb. High Performance, C571
	09581-P	Wall Hanger Bracket (Red) - 30 lb. High Performance
	00546-P	Wall Hanger Bracket (Red) - 322, B369, B371, B441, B447, B443, B456, B457, B460, B461, B462, B459, 720, 721, 722
	00575-P	Wall Hanger Bracket (Red) - 330, 331, 397, 398, 419*, 668 (Optional B260, B262) (* For extinguishers manufactured 2004 or later)
	17737	Wall Hanger Bracket 322NM
	00577-P	Wall Hanger Bracket (Red) - 408*, 415*, 423*, A411*, A412*, A413*, 361*, 372*, B570, B571, 692*, 693*, 760, 761, 762 (* For extinguishers manufactured 2004 or later)
	22290	Wall Hanger Bracket (Red) - 332
	16591-P	Wall Hanger Bracket (Red) - B424, 321M & All 5 lb. and 5.5 lb. Aluminum Valve Models
Miscellaneous Items		
4	08289	859 Dolly Cart 7" and 8" Diameter
5	07166-P	Rubber Strap - 860 & 862 Brackets
	07802-P	Rubber Strap - 864 Bracket, 859 Dolly
6	01990-P	Bumper, Rubber Grommet - 807, 809, 810, 811, 812, 860
7	06858-P	Bumper, Rubber Grommet - 861H, 846, 889, 889HB
8	13958-P	Bumper, Rubber Grommet - 810G, 811G, 862, 864, 859
9	06247	Bluestar V-711 Lubricant (5 oz.)
10	16831	889 Bracket Assembly - 10 lb. 5" Dia. "Fork" Style
11	17148	889HB Bracket Assembly - 10 lb. 5" Dia. "Pin Hook"
12	14220	Aluminum Valve Hanger Loop w/ screw
	16694	Brass Valve Hanger Loop w/ screw 5lb., 5 1/2lb., 6lb., 20lb.
13	09584	High Performance Hanger Loop w/ screw
	17144	Class D Hanger Loop w/ screw
	14380	Foam, Water Mist, Wet Chemical Hanger Loop w/ screw (Requires 00575 Wall Bracket)
14	15363	Brass Valve Hanger Loop w/ screw 10lb., 13lb.
15	13888-P	Pull Pin and Chain Box Type Brackets



Parts List

Vehicle, Vehicle/Marine Brackets and Components

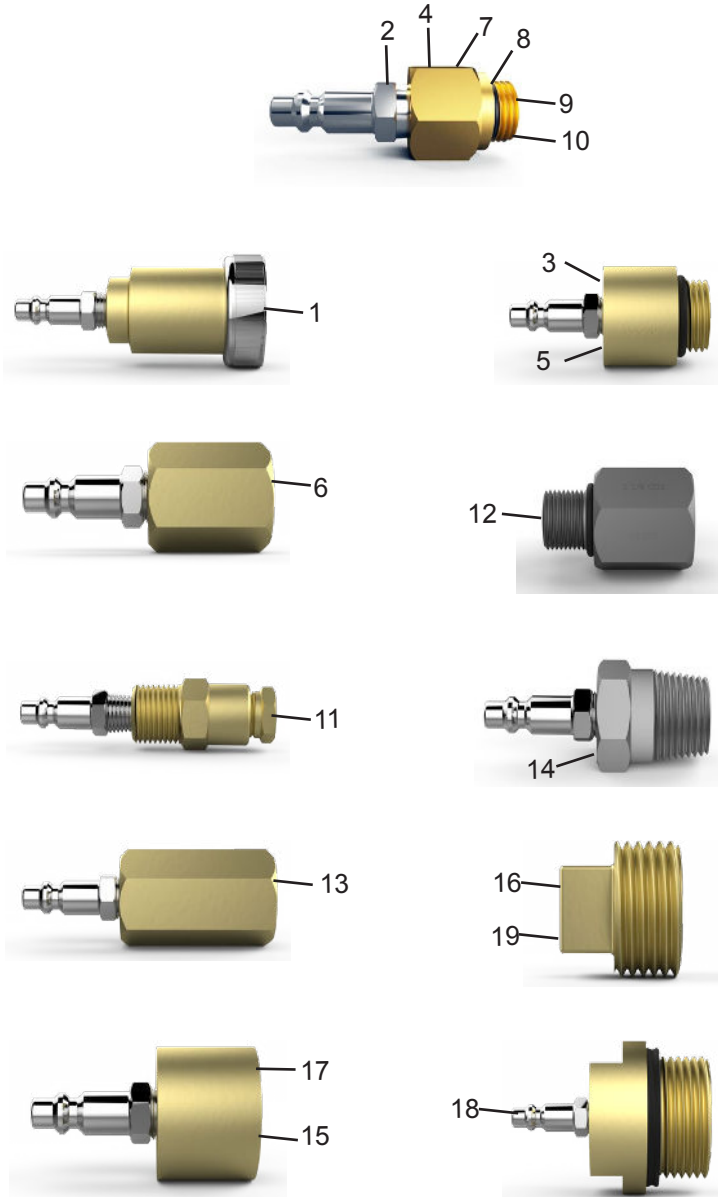


ITEM NO.	PART NO.	DESCRIPTION
1	845	Vehicle Bracket (Red) - All 1 lb., 1¼, 1.4 lb. Aluminum Valve Models
	845B	Vehicle Bracket (Black) - All 1 lb., 1¼, 1.4 lb. Aluminum Valve Models
	845S	Vehicle Bracket (Red) 2 Strap - All 1 lb., 1¼, 1.4 lb. Aluminum Valve Models
2	03412	Rubber Pad - ½" x 1½" - 817, 818, 808, 821, 845, 846, 889, 889HB
	01264	Rivet - 817, 818, 808, 821, 845, 846, 889, 889HB
3	01089-P	Vehicle/Marine Bracket (Red) - All 2½ lb., 3 lb. Aluminum Valve Models
	817B	Vehicle/Marine Bracket (Black) - All 2½ lb., 3 lb. Aluminum Valve Models
	01211-P	Vehicle/Marine Bracket (Red) - All 5 lb., 5½ lb. Aluminum Valve Models
	818B	Vehicle/Marine Bracket (Black) - All 5 lb., 5½ lb. Aluminum Valve Models
4	817S	Vehicle/Marine Bracket (Red) - 2 Strap All 2½ lb., 3 lb. Aluminum Valve Models
	06866-P	Vehicle/Marine Bracket (Black) - 2 Strap All 2½ lb., 3 lb. Aluminum Valve Models
	818S	Vehicle/Marine Bracket (Red) - 2 Strap All 5 lb., 5½ lb. Aluminum Valve Models
5	03076-P	White Vinyl Tip - 817, 818, 808, 821, 845
6	808	Vehicle/Marine Bracket (Red) - All 6 lb., 9 lb., Aluminum & Brass Valve Models
	821	Vehicle/Marine Bracket (Red) - All 5 lb., 5½ lb. Aluminum & Brass Valve Models
	821S	Vehicle/Marine Bracket (Red) 2 strap - All 5 lb., 5½ lb. Aluminum & Brass Valve Models
7	846	Vehicle Bracket (Red) -10 lb. Tall Aluminum & Brass Valve Models
8	895	Vehicle/Marine Bracket (Black) - All 6 lb., 10 lb. Aluminum & Brass Valve Models
9	20619	Bumper Rubber Grommet 895
10	13958	Bumper Rubber Grommet 895
11	896M	Vehicle Bracket (Red) 2/12 Lb. CO2





Adapters - Fill (Recharge) & Hydrotest (Cylinder & Hose)



ITEM NO.	PART NO.	DESCRIPTION
Water, Water Mist, Wet Chemical & Foam Extinguishers		
1	03181	Hydro-test Adapter - 1/2"-16 UN
4*	02141	Fill Adapter - Hansen Quick Connect - 240, 250, 252, 254, 260, 262, C260, C262, C270, C272 - 5/8"-18 UNF
6*	09492	Fill Adapter - Hansen Quick Connect - B270, B272, B260, B262 - 1/2"-14 NPSL
Dry Chemical - Aluminum Valve Extinguishers		
2	01720	Fill Adapter - Hansen Quick Connect - 3/8"-24 UNF
3*	03610	Hydro-test Adapter - 1"-12 UNF
4*	02141	Fill Adapter - Hansen Quick Connect 5/8" - 18 UNF (20 lb. Aluminum Valve)
Dry Chemical - Brass Valve, High Performance, CL-D Extinguishers (Female Thread)		
4*	02141	Fill Adapter - Hansen Quick Connect 5/8" UNF
5*	03038	Hydro-test Adapter - 1/2"-12 UNF
6*	09492	Fill Adapter - High Performance Old style male thread - 1/2"-14 NPSL
Halon 1211 - Aluminum Valve Extinguishers		
7	04485	Fill Adapter - Hansen Quick Connect - 3/8"-24 UNF
3*	03610	Hydro-test Adapter - 1"-12 UNF
Halon 1211 - Brass Valve Extinguishers		
8	04482	Fill Adapter - Hansen Quick Connect - 5/8"-18 UNF
5*	03038	Hydro-test Adapter - 1/4"-12 UNF
Halotron I - Aluminum Valve Extinguishers		
9	14569	Fill Adapter - Snap Tite Quick Connect - 3/8"-24 UNF
3*	03610	Hydro-test Adapter - 1"-12 UNF
Halotron I - Brass Valve Extinguishers		
10	14568	Fill Adapter - Snap Tite Quick Connect - 5/8"-18 UNF
5*	03038	Hydro-test Adapter - 1/2"-12 UNF
Carbon Dioxide - All CO2 Hand Portable Extinguishers		
11	01316	Fill Adapter - Hansen Quick Connect - 1/4"-18 NPT, Installs on 2 1/2lb., 5lb. Discharge Tube - 3/8"-18 NPT with the Bushing removed, Install on 10lb., 15lb., 20lb. CO2 Elbow or valve outlet after 07/2020
12	01290	Hydro-test Adapter 1-1/8" - 12 UNF X 1/2"-14 NPT
Carbon Dioxide - Wheeled 50 lb. and 100 lb. Extinguishers		
13	09902	Fill Adapter - Hansen Quick Connect 1/2"-14 NPT
14*	04892	Hydro-test Adapter 3/4"-14 NPT
Wheeled Stored Pressure - Dry Chemical, Halotron I and Halon 1211		
15*	06160	Fill Adapter - Hansen Quick Connect 50 lb. Dry Chemical 3/4"-11 1/2" NH
5*	03038	Hydro-test Adapter - 1/4"-12 UNF (50lb.)
16	06157	Hydro-test Adapter (Hose) (Male Plug) - Use with P/N: 6160 for 1/2" Hose Assemblies 3/4"-11 1/2" NH
17*	09857	Fill Adapter - 125, 150 & 250 lb. Dry Chemical 150 lb. Halon 1211, 150 lb. Halotron I and 150 lb. Novec 1"-8 NH, Hydro-test Adapters, Agent Cylinders 110ft ³ Models
18*	05152	Hydro-test Adapter (Cylinder) - 125, 150 & 250 lb. Dry Chemical 150 lb. Halon 1211, 150 lb. Halotron I and 150 lb. Novec 2"-8 UN
19*	05723	Hydro-test Adapter (Male Plug) (Hose) - Use with P/N: 9857 for 3/4" and 1" Hose Assemblies 1"-8 NH
Wheeled Nitrogen or Argon Cylinder Operated - Gas Cylinder		
14*	04892	Hydro-test Adapter for Gas Cylinder and Agent Cylinder Except 110ft ³ Models 3/4"-14 NPT
Hose Hydro-test for Wheeled Dry Chemical, Foam, Halon, Halotron, Novec: For 1/2" Hose use 06160 Adapter and 06157 Plug. For 3/4" and 1" Hose use 09857 Adapter and 05723 Plug.		
* ADAPTER CAN BE USED ON MORE THAN ONE TYPE EXTINGUISHER		
Replacement O-Rings / Gaskets for Adapters		
PART NO.	DESCRIPTION	
01532-P	O-Ring for Item: 2, 7, 9	
06978-P	O-Ring for Item: 4, 8, 10	
05241-P	O-Ring for Item: 3	
05240-P	O-Ring for Item: 1, 5	
09494-P	Gasket for Item: 6	
01124-P	O-Ring for Item: 12	
06056-P	Gasket for Item: 15	
03877-P	Gasket for Item: 17	
05239-P	O-Ring for Item: 18	



Parts List Recharge Agents

WATER CHARGES

Charge 506B-2, Two 2 1/2 gal. bottles Loaded Stream/Anti-Freeze – Model 240
Charge 506B, 55 gal. drum Loaded Stream/Anti-Freeze - Model 240

WET CHEMICAL CHARGES

Charge 530-2, two 6 liter bottles – Model B260, C260, C260CG
Charge 660-2, two 2 1/2 gal. bottles – Model B262, C262, C262CG

WATER MIST CHARGES

Charge 670-2, two 1 3/4 gal. bottles – Model B270, C270
Charge 671-2, two 2 1/2 gal. bottles – Model B272, C272

HALOTRON™ I CHARGES

Charge 891, 80 lb. cylinder
Charge 892, 200 lb. cylinder

CLASS D DRY POWDER CHARGES

Charge 543, 35 lb. pail Graphite (G-Plus)
Charge 532, 300 lb. drum Graphite (G-Plus)
Charge 557, 30 lb. pail Sodium Chloride (Super D) – Model B570, 680
Charge 545, 50 lb. pail Sodium Chloride (Super D) – Model B570, 680
Charge 548, 50 lb. pail Copper (Navy 125S) – Model B571, C571, 681
[Class D Powders can be applied using scoop or shovel]

ABC DRY CHEMICAL CHARGES

Charge 552, 25 lb. pail
Charge 550, 50 lb. pail
Charge 555, 50 lb. pail – Model B402
Charge 509, 400 lb. drum

REGULAR DRY CHEMICAL CHARGES

Charge 512, 50 lb. pail
Charge 511, 400 lb. drum

PURPLE K DRY CHEMICAL CHARGES

Charge 553, 25 lb. pail
Charge 515, 50 lb. pail
Charge 517, 400 lb. drum



AMEREX SERVICE/MAINTENANCE MANUALS

(Free download from Amerex web site - www.amerex-fire.com)

- 00914 Owners Manual for Hand Portable Extinguishers, 16424 Spanish Version, 17099 French Version
- 05601 Hand Portable 2½ Gal. Water - Model 240
- 05602 Hand Portable Dry Chemical - ABC & Purple K
- 05603 Hand Portable Carbon Dioxide - Models 321M, 322, 330, 331, 332
- 05604 Hand Portable Halon 1211 - Models A344, C352, C354, B355, B369, B371, 361
- 05605 Wheeled 125 & 150 lb. N₂ Cyl. Operated - Models 450, 452, 467, 469, 470, 472
- 05607 Hand Portable - Premix Foam - Model 250 (2½ Gal. AR-AFFF)
- 05608 Wheeled 125 & 150 lb. Stored Press. Dry Chemical - Models 488, 490
- 05612 Wheeled 50 Lb. Stored Press. Dry Chemical - Models 495, 497
- 05614 Wheeled 300/350 lb. N₂ Cylinder Operated Dry Chemical - Models 491, 492, 493
- 05615 Wheeled 33 Gal. N₂ Cylinder Operated AR-AFFF Foam - Model 630
- 05616 Hand Portable 6kg (13.2lb.), 20 & 30 lb. HIGH PERFORMANCE Dry Chemical
- 05617 Wheeled 250 Lb. HIGH PERFORMANCE Dry Chemical - Models 573, 574, 575
- 05618 Wheeled 50 & 100 Lb. Carbon Dioxide - Models 333, 334
- 05619 Hand Portable 30 Lb. Class D (Copper) - Models B571, C571
- 05620 Wheeled 150 & 250 Lb. Class D (Sodium Chloride) - Models 680, Model 681 (Copper)
- 08220 Hand Portable 30 Lb. Class D (Sodium Chloride) - Model B570
- 13259 Hand Portable 6 Liter & 2½ Gal. "Class K" Wet Chemical - Models B260, B262, C260, C260CG, C262, C262CG
- 14425 Hand Portable 1.4, 2½, 5, 5.5, 11 & 15½ lb. Halotron I - Models A384, B385, B386, B394, 397, 398
- 14795 Recharge Recovery Halotron I
- 16303 Hand Portable 1 3/4 Gal. and 2 1/2 Gal. Water Mist - Models B270, B272, C270, C272
- 16672 Wheeled 65 & 150 Lb. Halotron - Models B673, B674, B675
- 19795 Wheeled 150 Lb. Novec 1230 - Model 775
- 27192 Hand Portable 1.92, 3.75 & 12.5 lb. Halotron BrX - Models 337, 347, 349, 351

AMEREX SDS (Safety Data Sheets)

Please visit our website at www.amerex-fire.com for SDS information.

