

**HIKVISION®**



ECI-B12F2 • ECI-B12F4 • ECI-B12F6  
Network Bullet Camera

Quick Start Guide

## Manual Illustrations and Features

Graphics (screen shots, product pictures, etc.) in this document are for illustrative purposes only. Your actual product may differ in appearance. Your product might not support all features discussed in this document.

**Hikvision USA Inc.**, 18639 Railroad St., City of Industry, CA 91748, USA •  
Hikvision Canada, 4848 rue Levy, Saint Laurent, Quebec, Canada, H4R 2P1

Telephone: +1-909-895-0400 • Toll Free in USA: +1-866-200-6690 • E-Mail:  
[sales.usa@hikvision.com](mailto:sales.usa@hikvision.com) • [www.hikvision.com](http://www.hikvision.com)

COPYRIGHT ©2017-2018 Hangzhou Hikvision Digital Technology Co., Ltd.

ALL RIGHTS RESERVED.

Any and all information, including, among others, wordings, pictures, graphs are the properties of Hangzhou Hikvision Digital Technology Co., Ltd. or its subsidiaries (hereinafter referred to be “Hikvision”). This user manual (hereinafter referred to be “the Manual”) cannot be reproduced, changed, translated, or distributed, partially or wholly, by any means, without the prior written permission of Hikvision. Unless otherwise stipulated, Hikvision does not make any warranties, guarantees or representations, express or implied, regarding to the Manual.

### About this Manual

This manual may contain several technical incorrect places or printing errors, and the content is subject to change without notice. The updates will be added to the new version of this manual. We will readily improve or update the products or procedures described in the manual.

### Regulatory Information

#### FCC Information

Please take attention that changes or modification not expressly approved by the party responsible for compliance could void the user’s authority to operate the equipment.

**FCC Compliance:** This equipment has been tested and found to comply with the limits for a Class A digital device, pursuant to part 15 of the FCC Rules. These limits are designed to provide reasonable protection against harmful interference when the equipment is operated in a commercial environment. This equipment generates, uses, and can radiate radio frequency energy and, if not installed and used in accordance with the instruction manual, may cause harmful interference to radio communications. Operation of this equipment in a residential area is likely to cause harmful interference in which case the user will be required to correct the interference at his own expense.

## FCC Conditions

This device complies with part 15 of the FCC Rules. Operation is subject to the following two conditions:

1. This device may not cause harmful interference.
2. This device must accept any interference received, including interference that may cause undesired operation.

## EU Conformity Statement



This product and, if applicable, the supplied accessories too are marked with "CE" and comply therefore with the applicable harmonized European standards listed under the Low Voltage Directive 2014/35/EU, the EMC Directive 2014/30/EU.



2012/19/EU (WEEE directive): Products marked with this symbol cannot be disposed of as unsorted municipal waste in the European Union. For proper recycling, return this product to your local supplier upon the purchase of equivalent new equipment, or dispose of it at designated collection points. For more information see: [www.recyclethis.info](http://www.recyclethis.info).



2006/66/EC (battery directive): This product contains a battery that cannot be disposed of as unsorted municipal waste in the European Union. See the product documentation for specific battery information. The battery is marked with this symbol, which may include lettering to indicate cadmium (Cd), lead (Pb), or mercury (Hg). For proper recycling, return the battery to your supplier or to a designated collection point. For more information see: [www.recyclethis.info](http://www.recyclethis.info).

## Industry Canada ICES-003 Compliance

This device meets the CAN ICES-3 (A)/NMB-3(A) standards requirements.

## Warning

This is a class A product. In a domestic environment this product may cause radio interference in which case the user may be required to take adequate measures.



**Safety Instruction**

These instructions are intended to ensure that user can use the product correctly to avoid danger or property loss.

The precaution measure is divided into “Warnings” and “Cautions”.

**Warnings:** Serious injury or death may occur if any of the warnings are neglected.

**Cautions:** Injury or equipment damage may occur if any of the cautions are neglected.

	
<p><b>Warnings</b> Follow these safeguards to prevent serious injury or death.</p>	<p><b>Cautions</b> Follow these precautions to prevent potential injury or material damage.</p>

 **Warnings**

- In the use of the device, you must be in strict compliance with the electrical safety regulations of the nation and region.
- Input voltage should meet both the SELV (Safety Extra Low Voltage) and the Limited Power Source with 12 VDC according to the IEC60950-1 standard. Refer to technical specifications for detailed information.
- The output current of the power adapter must be no more than 6A.
- Do not connect multiple devices to one power adapter to avoid over-heating or a fire hazard caused by overload.
- Make sure that the plug is firmly connected to the power socket.
- Make sure that the device is firmly fixed if wall mounting or ceiling mounting is adopted.
- If smoke, odor or noise rise from the device, turn off the power at once and unplug the power cord, and then contact the service center.
- Never attempt to disassemble the camera by unprofessional personal.



**Cautions**

- Do not drop the camera or subject it to physical shock.
- Do not place the camera in extremely hot, cold (the operating temperature shall be -40° to 60° C), dusty or damp locations, and do not expose it to high electromagnetic radiation.
- Do not touch sensor modules with fingers.
- If cleaning is necessary, use clean cloth with a bit of ethanol and wipe it gently.
- Do not aim the camera at the sun or extra bright places.
- The sensor may be burned out by a laser beam, so when any laser equipment is in using, make sure that the surface of sensor will not be exposed to the laser beam.
- Do not expose the device to high electromagnetic radiation or extremely hot, cold, dusty or damp environment.
- To avoid heat accumulation, good ventilation is required for the operating environment.
- Keep the camera away from liquid while in use for non-water-proof device.
- While in delivery, the camera shall be packed in its original packing, or packing of the same texture.

Mark Description

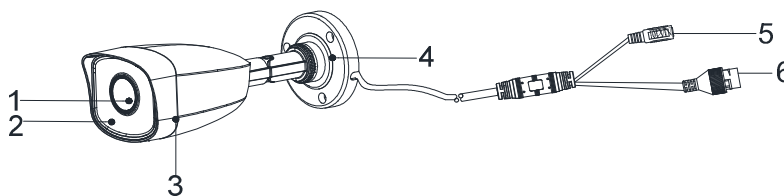
Mark	Description
==	DC Voltage

## Contents

<b>1 Appearance Description .....</b>	<b>7</b>
<b>2 Installation.....</b>	<b>7</b>
2.1 Ceiling/Wall Mounting.....	7
2.2 Ceiling/Wall Mounting with Junction Box.....	9
2.3 Waterproof Jacket Installation.....	12
<b>3 Set the Network Camera over the LAN.....</b>	<b>13</b>
3.1 Wiring .....	13
3.2 Activate the Camera .....	13
3.2.1 Activation via Web Browser.....	14
3.2.2 Activation via SADP Software .....	14
3.3 Modify the IP Address .....	15
3.4 Access via Web Browser .....	16
3.5 Operate via Hik-Connect App .....	18
3.5.3 Enable Hik-Connect for Use with Cameras.....	18
3.5.4 Enable Hik-Connect Service via SADP Software .....	18
3.5.5 Enable Hik-Connect via a Web Browser .....	19
3.5.6 Add Camera to Hik-Connect .....	20

## 1 Appearance Description

This network bullet camera appearance is shown as the figures below.



Network Bullet Camera Overview

No.	Description
1	Lens
2	Front Cover
3	Back Cover
4	Fix Ring
5	Power Cord
6	Network Cable

### NOTE:

For power over Ethernet (PoE), the power is passed along with data on Ethernet cabling. A switch that supports the PoE function is required.

## 2 Installation

### Before You Start:

- Make sure the device in the package is in good condition and all the assembly parts are included.
- The standard power supply is 12 VDC, make sure your power supply matches your camera.
- Make sure all related equipment is powered off during the installation.
- Check the product specification for the installation environment.
- Make sure that the wall is strong enough to withstand four times the weight of the camera and the bracket.
- Make sure that there are no reflective surfaces too close to the camera lens. The IR light from the camera may reflect back into the lens causing reflection.

### 2.1 Ceiling/Wall Mounting

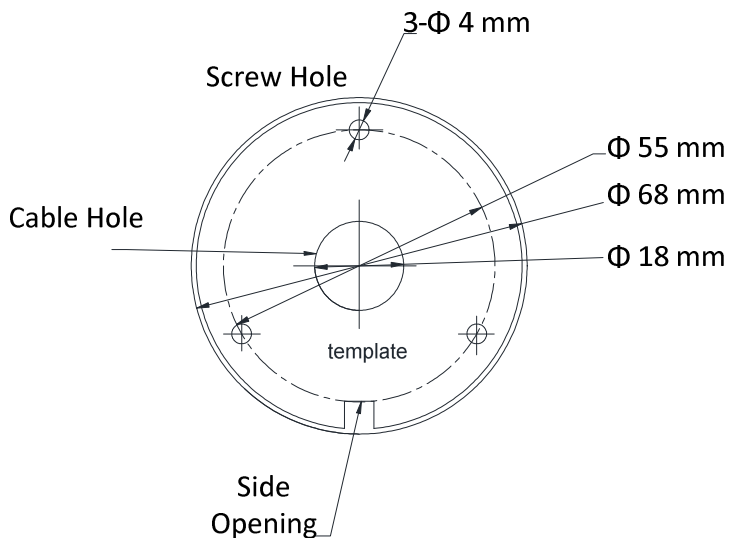
#### Before You Start

Both wall mounting and ceiling mounting are suitable for the bullet camera. Ceiling mounting will be taken as an example in this section. Use these ceiling mounting steps as a reference for wall mounting.

1. Paste the drill template (supplied) to the desired mounting position on the ceiling/wall.
2. Drill the screw holes in the ceiling/wall according to the supplied drill template.

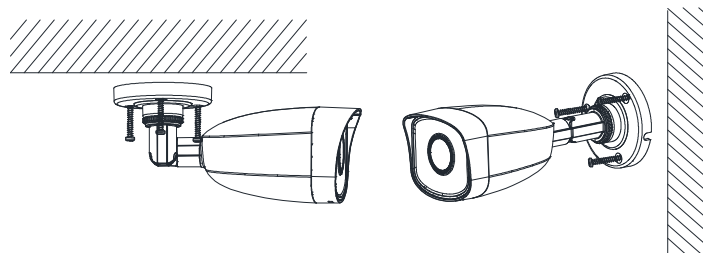
**Note:**

Drill the cable hole if using the ceiling outlet to route the cable.



The Drill Template

3. Route the cables through the cable hole (optional) or the side opening.
4. Fix the camera on the ceiling/wall with supplied screws.

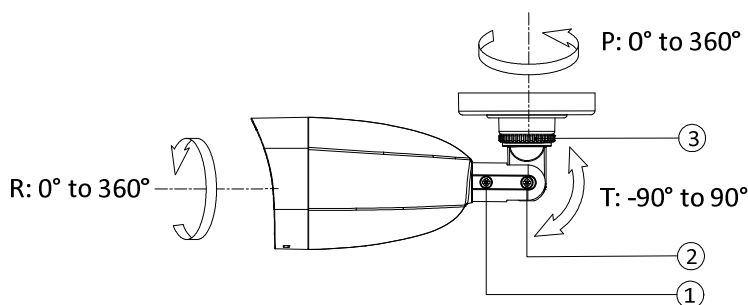


Mount the Camera to the Ceiling/Wall



**NOTES:**

- The supplied screw package contains both self-tapping screws and expansion bolts.
  - If the ceiling is cement, expansion bolts are required to fix the camera. If the ceiling is wood, self-tapping screws are required.
5. Connect the corresponding power cord, and network cable.
  6. Power on the camera.
  7. Set the network configuration (for details, refer to *3 Set the Network Camera over the LAN* and *4 Access via Web Browser*) to check if the image is at an optimum angle. If not, adjust the surveillance angle.
    - 1) Loosen the no.1 adjusting screw to adjust the rotation position [0° to 360°].
    - 2) Tighten the no.1 adjusting screw.
    - 3) Loosen the no.2 adjusting screw to adjust the tilting position [-90° to 90°].
    - 4) Tighten the no. 2 adjusting screw.
    - 5) Loosen the no.3 fix ring to adjust the pan position [0° to 360°].
    - 6) Tighten the no.3 fix ring.



3-Axis Adjustment

8. (Optional) Install the waterproof jacket. Refer to 2.3 Waterproof Jacket for details.

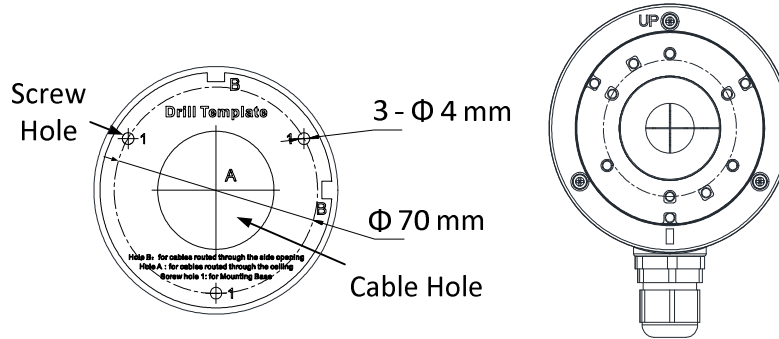
**2.2 Ceiling/Wall Mounting with Junction Box****Before You Start**

- Both wall mounting and ceiling mounting are suitable for the bullet camera. Wall mounting will be taken as an example in this section. Use these wall mounting steps as a reference for ceiling mounting.

- You will need to purchase a junction box.
1. Paste the drill template (supplied) to the desired mounting position on the wall/ceiling.
  2. Drill the screw holes and the cable hole (optional) in the wall/ceiling according to the drill template.

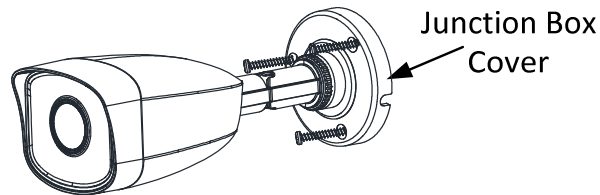
**NOTE:**

Drill the cable hole if using the ceiling outlet to route the cable.



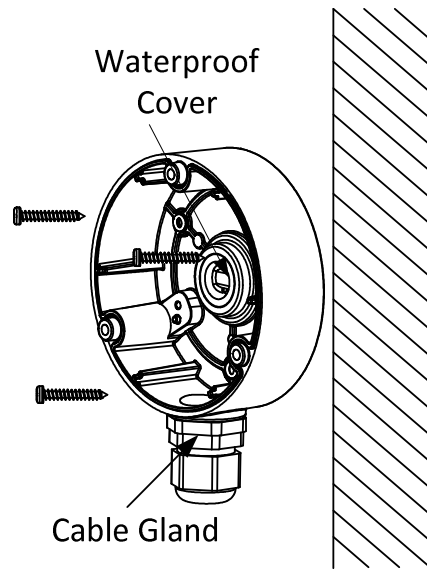
Drill Template

3. Take apart the junction box, and align the screw holes of the bullet camera with those on the junction box' cover.
4. Fix the camera on the junction box's cover with three PM4 × 10 screws.



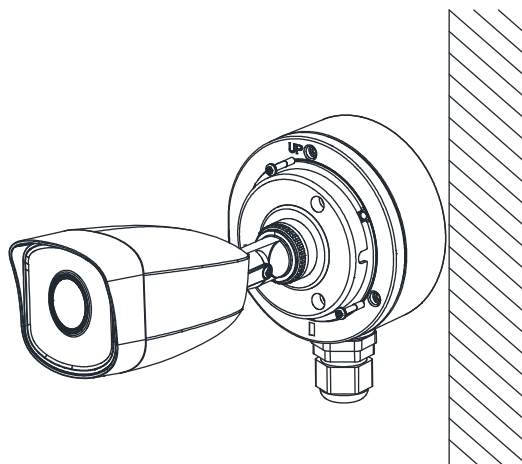
Mount Camera onto Junction Box Cover

5. Secure the junction box's body on the wall with three supplied screws.



Fasten the Junction Box to the Wall

6. Route the cables through the cable hole. Here we take the bottom cable hole as an example to describe the installation.
  - 1) Separate the waterproof cover and the cable gland from the junction box.
  - 2) Route the cable through the bottom cable hole and the cable gland.
  - 3) Screw the cable gland back onto the bottom cable hole.
  - 4) Screw the waterproof cover back onto the side cable hole.
7. Combine the junction box cover with its body with three screws on the junction box's cover.



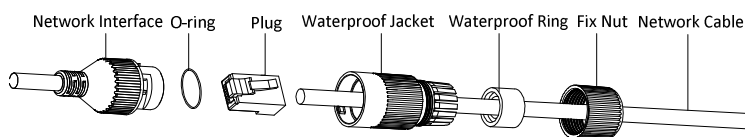
Combine Junction Box's Cover with its Body

8. Repeat steps 5 to 7 of 2.1
9. Ceiling/Wall Mounting to complete the installation.

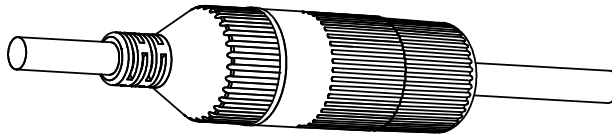
### 2.3 Waterproof Jacket Installation

It is recommended to use the waterproof jacket (supplied) when the camera is installed outdoors.

1. If the network cable has retracted, cut off the network cable plug.
2. Route the network cable through the following components in sequence: fix nut, waterproof ring, and the main body of the waterproof jacket, as shown in the figure below.
3. Insert the waterproof ring into the main body of the waterproof jacket, to increase the sealing ability of the components.
4. Wire the plug and network cables.
5. Fix the O-ring to the camera's network interface, and then connect the network cables.
6. Wrap the network interface with the main body of the waterproof jacket, and then rotate the fix nut clockwise to assemble it to the main body of the waterproof jacket.



Waterproof Jacket Components



Install Waterproof Jacket

### 3 Set the Network Camera over the LAN

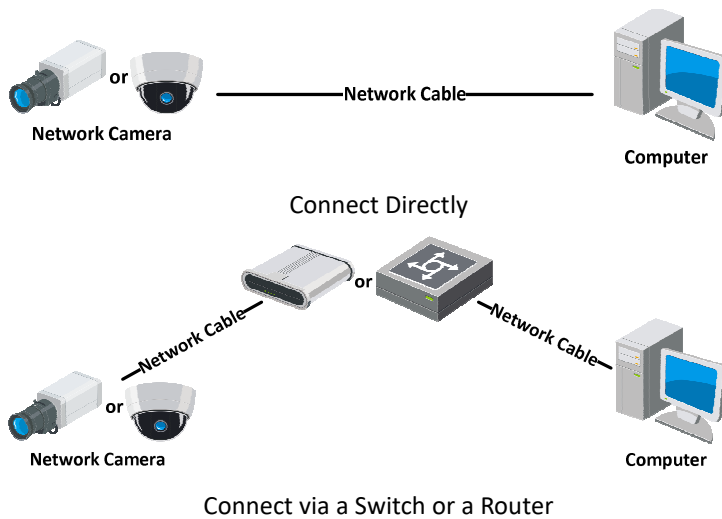
**NOTE:**

You shall acknowledge that the use of the product with Internet access might be under network security risks. For avoidance of any network attacks and information leakage, please strengthen your own protection.

If the product does not work properly, contact your dealer or the nearest service center for help.

#### 3.1 Wiring

Connect the camera to the network according to the following figures.



#### 3.2 Activate the Camera

You must activate the camera first by setting a strong password for it before use.

Activation via Web browser, SADP, and client software are all supported. We will take activation via SADP software and activation via Web browser as examples to introduce camera activation.

**NOTE:**


Refer to the of Network Camera user manual for activation via client software.

### 3.2.1 Activation via Web Browser

1. Power on the camera.
2. Connect the camera to your computer or the switch/router that your computer connects to.
3. Input the IP address into the Web browser address bar.
4. Press **Enter** to enter the activation interface.

#### NOTES:

- The camera's default IP address is 192.168.1.64.
  - The computer and the camera should belong to the same subnet.
  - For cameras that enable DHCP by default, you will need to use the SADP software to search for the IP address.
5. Create a password and input the password into the password field.

 **STRONG PASSWORD RECOMMENDED** – We highly recommend that you create a strong password of your own choosing (using a minimum of eight characters, including upper case letters, lower case letters, numbers, and special characters) in order to increase the security of your product. We also recommend that you reset your password regularly. Especially in high security systems, resetting the password monthly or weekly can better protect your product.

6. Confirm the password.
7. Click **OK** to save the password and enter the live view interface.

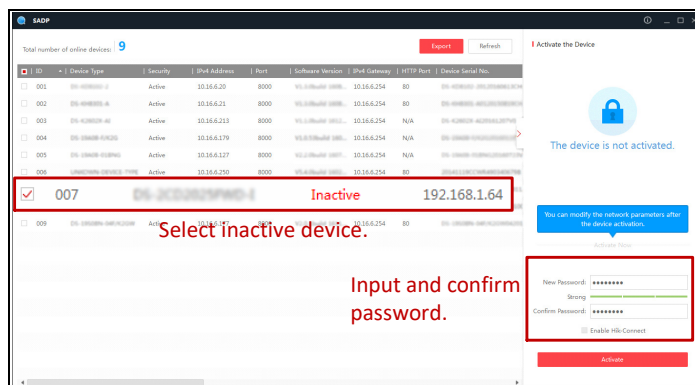
### 3.2.2 Activation via SADP Software

SADP software is used for detecting the online device, activating the camera, and resetting the password.

Get the SADP software from the supplied disk or the official Web site, and install it according to the prompts.

Follow the steps to activate the camera.

1. Run the SADP software to search the online devices.
2. Check the device status on the device list, and select the inactive device.



SADP Interface

**NOTE:**

The SADP software supports activating the camera in batch. Refer to the SADP software user manual for details.

3. Create and input the new password in the password field.
4. Confirm the password.

**! STRONG PASSWORD RECOMMENDED** – We highly recommend that you create a strong password of your own choosing (using a minimum of eight characters, including upper case letters, lower case letters, numbers, and special characters) in order to increase the security of your product. We also recommend that you reset your password regularly. Especially in a high security system, resetting the password monthly or weekly can better protect your product.

**NOTE:**

5. You can enable the Hik-Connect service for the device during activation. Refer to Chapter 5.1 for detailed information.
6. Click **Activate** to start activation.
7. You can check whether the activation is complete on the pop-up window. If activation fails, make sure that the password meets the requirement and try again.

**3.3 Modify the IP Address**

To view and configure the camera via LAN (Local Area Network), you need to connect the network camera in the same subnet with your PC.

Use the SADP software or client software to search and change the IP address of the device. We take modifying the IP address via SADP software as an example to introduce IP address modification.

For IP address modification via client software, refer to the client software user manual.

1. Run the SADP software.
2. Select an active device.
3. Change the device IP address to the same subnet as your computer by either modifying the IP address manually or checking the **Enable DHCP** checkbox.

Modify the IP Address

#### NOTE:

You can enable the Hik-Connect service for the device during activation. Refer to Chapter 5.1 for detailed information.

1. Input the admin password and click **Modify** to activate your IP address modification.
2. Batch IP address modification is supported by the SADP. Refer to the SADP user manual for details.

### 3.4 Access via Web Browser

#### System Requirement:



Operating System: Microsoft Windows XP SP1 and above version

CPU: 2.0 GHz or higher

RAM: 1 GB or higher

Display: 1024 × 768 resolution or higher

Web Browser: Internet Explorer 8.0 and above version, Apple Safari 5.0.2 and above version, Mozilla Firefox 5.0 and above version and Google Chrome 18 and above version

1. Open the Web browser.
2. In the browser address bar, input the IP address of the network camera, and press the **Enter** key to enter the login interface.

**NOTE:**

The default IP address is 192.168.1.64. You are recommended to change the IP address to the same subnet as your computer.

3. Input the user name and password.

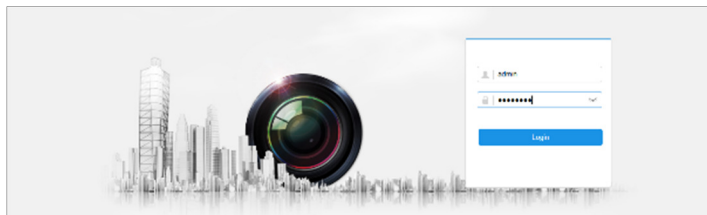
**NOTE:**

The admin user should configure the device accounts and user/operator permissions properly. Delete the unnecessary accounts and user/operator permissions.

**NOTE:**

The device IP address locks if the admin user performs seven failed password attempts (five attempts for a user/operator).

4. Click **Login**.

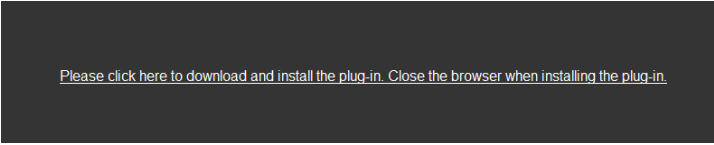


Login Interface

5. Install the plug-in before viewing the live video and managing the camera. Follow the installation prompts to install the plug-in.

**NOTE:**

You may have to close the Web browser to finish installing the plug-in.



[Please click here to download and install the plug-in. Close the browser when installing the plug-in.](#)

#### Download Plug-in

6. Reopen the Web browser after installing the plug-in and repeat steps 2 to 4 to login.

#### **NOTE:**

For further configuration instructions, see the network camera user manual.

### **3.5 Operate via Hik-Connect App**

Hik-Connect is a mobile application to view live camera images, receive alarm notifications, etc.

#### **3.5.3 Enable Hik-Connect for Use with Cameras**

Install Hik-Connect onto your camera before using the service. You can enable the service either via SADP software or a Web browser.

#### **3.5.4 Enable Hik-Connect Service via SADP Software**

1. Check the **Enable Hik-Connect** checkbox.
  - 1) For the “Activate the Device” page that appears during camera activation, refer to Chapter 3.2.2.
  - 2) For the “Modify Network Parameters” page that appears while modifying the IP address, refer to Chapter 3.3.
  - 3) Create or change the verification code.

Tips

To enable Hik-Connect service, you need to create a verification code or change the verification code.

Verification Code

6 to 12 letters or numbers, case sensitive. You are recommended to use a combination of no less than 8 letters or numbers.

Confirm Verification Code

The Hik-Connect service will require internet access. Please read the ["Terms of Service"](#) and ["Privacy Policy"](#) before enabling the service.

Confirm Cancel

Verification Code Setting (SADP)

**NOTE:**

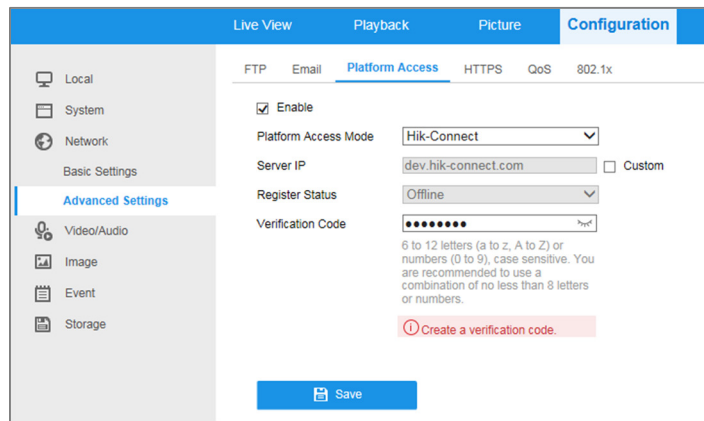
The verification code is required when adding the camera to Hik-Connect.

2. Click and read the "Terms of Service" and "Privacy Policy."
3. Confirm the settings.

**3.5.5 Enable Hik-Connect via a Web Browser****Before You Start**

Activate the camera before enabling the service. Refer to Chapter 3.2. for more information.

1. Access the camera via a Web browser. Refer to Chapter 4.
2. Enter the platform access configuration interface, as follows:  
**Configuration > Network > Advanced Settings > Platform Access.**



Platform Access Configuration (Web)

3. Set the Platform Access Mode to **Hik-Connect**.
4. Check the **Enable** checkbox.
5. Click and read the “Terms of Service” and “Privacy Policy” in the pop-up window.
6. Create or change the verification code for the camera.

**NOTE:**

A verification code is required when adding the camera to Hik-Connect.

7. Save the settings.

**3.5.6 Add Camera to Hik-Connect**

**Before You Start**

Enable Hik-Connect on the camera before adding it to your Hik-Connect account. Refer to Chapter 5.1.


1. Use a network cable to connect the camera to a router if the camera does not support Wi-Fi.



Connect a Router

**NOTE:**

After the camera connects to the network, wait one minute before using the camera with Hik-Connect.

2. Add the camera to the Hik-Connect app:
  - **If Accessing the Camera through an NVR:** Tap “+” on the upper-right corner and scan the QR code that appears in the NVR interface.
  - **If Accessing the Camera through a Web Browser:** Tap the  icon and type in the camera’s serial number.
3. Input your camera’s verification code.

**NOTE:**

The required verification code is created or changed when you enable Hik-Connect on your camera.

Forgotten verification codes can be recovered in the **Platform Access** configuration page via the Web browser.

4. Follow the prompts to set up the network connection and add the camera to your Hik-Connect account.

**NOTE:**

For detailed information, refer to the Hik-Connect user manual.